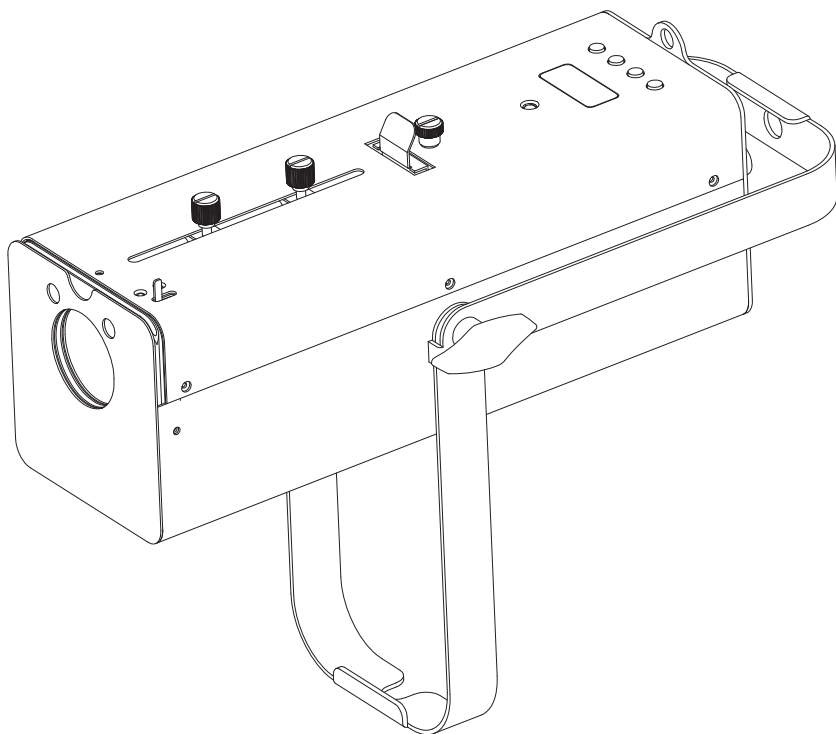


SCENE
STORE
EXPO

Sfx

scenografx



SFX-GORO50W

1 - Safety information

Important safety information



This unit is intended for indoor use only. Do not use it in a wet, or extremely cold/hot locations. Failure to follow these safety instructions could result in fire, electric shock, injury, or damage to this product or other property.



Any maintenance procedure must be performed by a CONTEST authorised technical service. Basic cleaning operations must thoroughly follow our safety instructions.



This product contains non-isolated electrical components. Do not undertake any maintenance operation when it is switched on as it may result in electric shock.

Symbols used



This symbol signals an important safety precaution.



The WARNING symbol signals a risk to the user's physical integrity. The product may also be damaged.



The CAUTION symbol signals a risk of product deterioration.

Instructions and recommendations

1 - Please read carefully :

We strongly recommend to read carefully and understand the safety instructions before attempting to operate this unit.

2 - Please keep this manual :

We strongly recommend to keep this manual with the unit for future reference.

3 - Operate carefully this product :

We strongly recommend to take into consideration every safety instruction.

4 - Follow the instructions:

Please carefully follow each safety instruction to avoid any physical harm or property damage.

5 - Avoid water and wet locations :

Do not use this product in rain, or near washbasins or other wet locations.

6 - Installation :

We strongly encourage you to only use a fixation system or support recommended by the manufacturer or supplied with this product. Carefully follow the installation instructions and use the adequate tools. Always ensure this unit is firmly fixed to avoid vibration and slipping while operating as it may result in physical injury.

7 - Ceiling or wall installation :

Please contact your local dealer before attempting any ceiling or wall installation.

8 - Ventilation :

The cooling vents ensure a safe use of this product, and avoid any overheating risk. Do not obstruct or cover these vents as it may result in overheating and potential physical injury or product damage. This product should never be operated in a closed non-ventilated area such as a flight case or a rack, unless cooling vents are provided for the purpose .

9 - Heat exposure :

Sustained contact or proximity with warm surfaces may cause overheating and product damages. Please keep this product away from any heat source such as a heaters, amplifiers, hot plates, etc..

10 - Electric power supply :

This product can only be operated according to a very specific voltage. These information are specified on the label located at the rear of the product.

11 - Power cords protection:

Power-supply cords should be routed so that they are not likely to be walked on or pinched by items placed upon or against them, paying particular attention to cords at lugs, convenience receptacles and the point where they exit from the fixture.



CAUTION
RISK OF ELECTRIC SHOCK
DO NOT OPEN



WARNING : This unit contains no user-serviceable parts. Do not open the housing or attempt any maintenance by yourself. In the unlikely even your unit may require service, please contact your nearest dealer.

In order to avoid any electrical malfunction, please do not use any multi-socket, power cord extension or connecting system without making sure they are perfectly isolated and present no defect.



Warning

This product is equipped with Class 2 LEDs.

Please avoid looking directly at the beam as it may cause severe eye injuries.



Recycling your device

- As HITMUSIC is really involved in the environmental cause, we only commercialise clean, ROHS compliant products.
- When this product reaches its end of life, take it to a collection point designated by local authorities. The separate collection and recycling of your product at the time of disposal will help conserve natural resources and ensure that it is recycled in a manner that protects human health and the environment.

12 - Cleaning precautions :

Unplug the product before attempting any cleaning operation. This product should be cleaned only with accessories recommended by the manufacturer. Use a damp cloth to clean the surface. Do not wash this product.

13 - Long periods of non use :

Disconnect the unit's main power during long periods of non use.

14 - Liquids or objects penetration :

Do not let any object penetrate this product as it may result in electric shock or fire. Never spill any liquid on this product as it may infiltrate the electronic components and result in electric shock or fire.

15 - This product should be serviced when :

- Please contact the qualified service personnel if :
- The power cord or the plug has been damaged.
 - Objects have fallen or liquid has been spilled into the appliance.
 - The appliance has been exposed to rain or water.
 - The product does not appear to operate normally.
 - The product has been damaged.

16 - Inspection/maintenance :

Please do not attempt any inspection or maintenance by yourself. Refer all servicing to qualified personnel.

17 - Operating environment :

Ambient temperature and humidity: +5 - +35°C, relative humidity must be less than 85% (when cooling vents are not obstructed).

Do not operate this product in a non-ventilated, very humid or warm place.

2 - Technical specifications

Optical

- › 1 x 50W white LED
- › Light output at 3m
 - 20° : 1917 lux
 - 34° : 760 lux
- › Beam angle from 20° to 34°

Functions

- › Electronic dimmer
- › Manual focus control
- › Gobo support (external diam 25.8mm, image 19mm, tickness 1 mm max.)
- › IR remote control
- › USB port for optional WTR-DMX wireless transmitter
- › Built-in command panel with drop-down LCD display to:
 - Select the DMX address
 - Select the number of channels: 1, 2, 3 or 4
 - Access to the gobo rotation
 - Access to dreaming mode
 - Slave mode
 - Manual mode
 - System reset

Connectors

- › POWER IN/ OUT via 2P+E / Powercon© socket
- › DMX IN/OUT via 3 pins XLR
- › USB for wireless DMX dongle

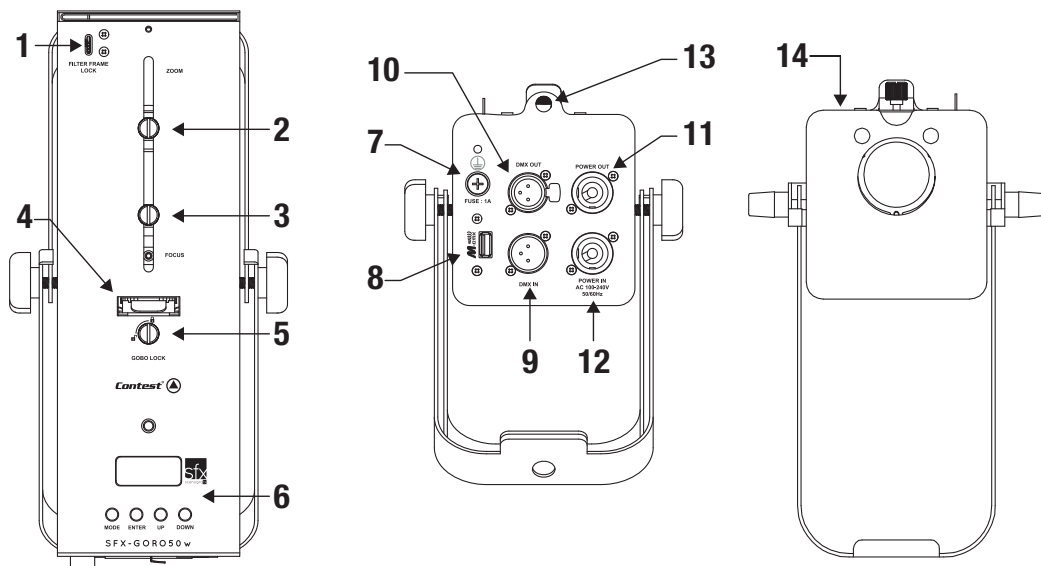
Additional characteristics

- › Power supply: 100-240V/50-60Hz
- › Power consumption: 56 W
- › Cooling system: Forced ventilation
- › Finish: Black finishing
- › Accessories: supplied with fixation bracket, power cord, gobo support, 4 gobos and filter frame
- › Dimensions: 500 x 150 x 100 mm
- › Weight: 3 kg

The package must contain the following products:

- › The projector
- › Its user guide
- › One Powercon© / 2 poles + earth power cord
- › One filter holder
- › One gobo holder
- › Four gobos

3 - Description



1 Locking latch

Allows to lock the filter holder.

2 ZOOM knob

This knob allows the beam width to be varied from 20 to 34°.

3 FOCUS knob

Use this dial to adjust the sharpness of the beam projection.

4 Gobo holder

This holder is used to insert a metal gobo.

The gobo must have dimensions:

- Total diameter: 25.8 mm
- Image diameter: 19 mm

5 Locking knob of the gobo holder

This knob locks the gobo holder in place so that it does not move during the gobo rotation.

6 Display and menu buttons**Display**

Allows you to intuitively configure your device. Please refer to next paragraph for more details about the menu functions. The backlight can be turned off via the Backlight function from the menu.

MODE Button

Allows you to access the menu and select a function.

ENTER Button

Allows you to enter sub-menus and apply changes.

UP and DOWN buttons

Allows you to increase or decrease parameter values.

7 Fuse

If need to change the fuse, please make sure the new fuse has the exact same characteristics as the old one.

8 USB port

This USB port is used exclusively for connecting a wireless DMX dongle.

This dongle is used to control the projector via DMX protocol.

9 DMX input

3-pin male XLR hardwired as follows:

- Pin 1: Mass
- Pin 2: Negative signal
- Pin 3: Positive signal

10 DMX output

3-pin female XLR hardwired as follows :

- Pin 1: Mass
- Pin 2: Negative signal
- Pin 3: Positive signal

11 Power output

Allows you to connect your projector to another projector with a Powercon® Power male/female cord. This cord is not supplied with the projector.

The maximum load accepted by this output is 16A.

12 Power input

Allows you to power up your projector via Powercon® Power / 2 poles + earth cable. This cable is supplied with the projector.

Please make sure the voltage of your workplace matches this projector.

13 Double hook ring**CAUTION!**

Please make sure the tightening wheel is securely fastened.

Using a safety cable is mandatory.

When using this device in public places, current legislation requires that each device features a double fixation system to ensure its stability. This system must hold up to 10 times times the weight of the device, meaning you will be required to use a cable able to hold 30 kilos to support your SFX-GOR050W.

14 Filter holder

Allows you to add a colored filter and colorize your beam.

4 - Menu tree

Menu	Sub menu	Action	
DMX MODE	ADDR:001~512	Allows you to set the DMX address. Values can be modified from 001 to 512.	
	CHAN:01/02/03/04	CHAN:01	Dimmer
		CHAN:02	Dimmer/Shutter
		CHAN:03	Dimmer/Gobo rotation/Rotation activation
		CHAN:04	Dimmer/Shutter/Gobo rotation/Rotation activation
	LED	HALOGEN	The Dimmer is progressive
		LED	The Dimmer is instantaneous
	MODES: 1/2/3/4	MODES:1	Brightness increases linearly
		MODES:2	Brightness settings are exponential
		MODES:3	Brightness settings are inversely exponential
MODES:4		Brightness increases slowly in lower values and strongly in higher values	
SLAVE MODE	The device is in slave mode		
DIM	DIM: 000 ~ 100	Manual dimmer	
MANUAL	Allows you to manually adjust the projector		
	WHIE: 000 ~ 255	White level adjustment	
	STRO: 00 ~ 15	Strobe speed control	
MOTOR	Allows to manage the rotation of the gobo		
	POWER:ON/OFF	Enables or disables gobo rotation	
	SPEED : 01 ~ 05	Adjusts the speed of rotation	
	RIGHT/LEFT	Allows you to choose the direction of rotation	

Menu	Sous menu	Action
FADE RUN	SPEED: 01 ~ 16	Dream mode
OPTION	BLGT: ON/OFF	Enables the display to be switched off if there is no action on the menu keys for more than 20 seconds
	IR: ON/OFF	Activates the infrared sensor for remote control operation
	WIFI: ON/OFF	Activates the control mode via a DMX WIFI dongle
	SYSRESET	Restores all factory settings

5 - DMX Modes

5.1 - 1-channel mode

Channel	Values	Function
1	Dimmer	
	000 - 255	Adjustable brightness from 0 to 100%

5.2 - 2-channel mode

Channel	Values	Function
1	Dimmer	
	000 - 255	Adjustable brightness from 0 to 100%
2	Shutter	
	000 - 031	LED OFF
	032 - 063	LED ON
	064 - 095	Strobe at increasing speed
	096 - 127	LED ON
	128 - 159	Pulse effect at increasing speed
	160 - 191	LED ON
	192 - 223	Random strobe at increasing speed
224 - 255	LED ON	

5.3 - 3-channel mode

Channel	Values	Function
1	Dimmer	
	000 - 255	Adjustable brightness from 0 to 100%
2	Gobos rotation	
	000 - 005	No rotation
	006 - 186	Gobo indexion (360°)
	187 - 189	No rotation
	190 - 219	Left rotation at decreasing speed
	220 - 222	No rotation
	223 - 253	Right rotation at increasing speed
254 - 255	No rotation	
3	Rotation activation	
	000 - 005	Deactivated rotation
	006 - 249	Rotation enabled
	250 - 255	Deactivated rotation

5.4 - 4-channel mode

Channel	Values	Function
1	Dimmer	
	000 - 255	Adjustable brightness from 0 to 100%
2	Shutter	
	000 - 031	LED OFF
	032 - 063	LED ON
	064 - 095	Strobe at increasing speed
	096 - 127	LED ON
	128 - 159	Pulse effect at increasing speed
	160 - 191	LED ON
	192 - 223	Random strobe at increasing speed
224 - 255	LED ON	
3	Gobos rotation	
	000 - 005	No rotation
	006 - 186	Gobo indexion (360°)
	187 - 189	No rotation
	190 - 219	Left rotation at decreasing speed
	220 - 222	No rotation
	223 - 253	Right rotation at increasing speed
254 - 255	No rotation	
4	Rotation activation	
	000 - 005	Deactivated rotation
	006 - 249	Rotation enabled
	250 - 255	Deactivated rotation

Because CONTEST® takes the utmost care in its products to make sure you only get the best possible quality, our products are subjects to modifications without prior notice. That is why technical specifications and the products physical configuration might differ from the illustrations.
Make sure you get the latest news and updates about the CONTEST® products on www.contest-lighting.com
CONTEST® is a trademark of HITMUSIC S.A.S - Parc d'activités Cahors sud - En teste - 46230 FONTANES - FRANCE