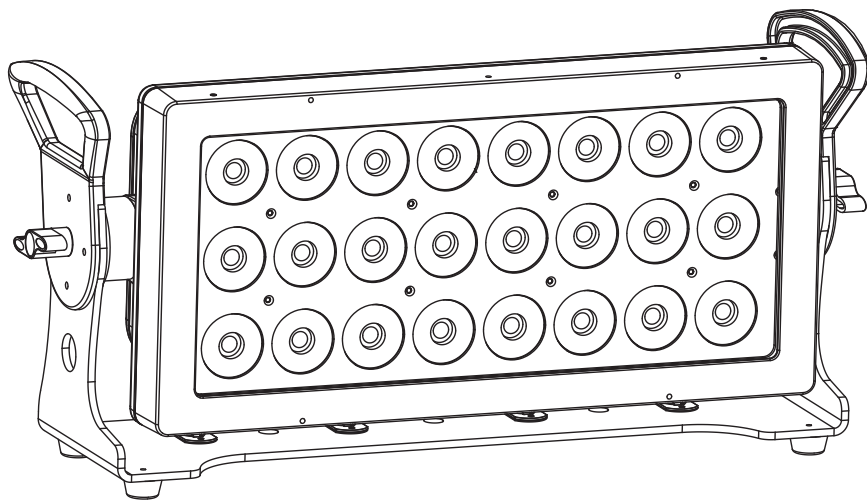


24 X 10W RGBW LEDS WATERPROOF PROJECTORS WITH PIXEL FUNCTION

*Contest*<sup>®</sup>  
architecture



**IPANEL24x10QC**

**USER GUIDE**  
10794 - Version 1 / 01-2018

# 1 - Safety information

## Important safety information



This unit is intended for indoor use only. Do not use it in a wet, or extremely cold/hot locations. Failure to follow these safety instructions could result in fire, electric shock, injury, or damage to this product or other property.



Any maintenance procedure must be performed by a CONTEST authorised technical service. Basic cleaning operations must thoroughly follow our safety instructions.



This product contains non-isolated electrical components. Do not undertake any maintenance operation when it is switched on as it may result in electric shock.

## Symbols used



This symbol signals an important safety precaution.



The WARNING symbol signals a risk to the user's physical integrity. The product may also be damaged.



The CAUTION symbol signals a risk of product deterioration.

## Instructions and recommendations

### 1 - Please read carefully :

We strongly recommend to read carefully and understand the safety instructions before attempting to operate this unit.

### 2 - Please keep this manual :

We strongly recommend to keep this manual with the unit for future reference.

### 3 - Operate carefully this product :

We strongly recommend to take into consideration every safety instruction.

### 4 - Follow the instructions:

Please carefully follow each safety instruction to avoid any physical harm or property damage.

### 5 - Installation :

We strongly encourage you to only use a fixation system or support recommended by the manufacturer or supplied with this product. Carefully follow the installation instructions and use the adequate tools.

Always ensure this unit is firmly fixed to avoid vibration and slipping while operating as it may result in physical injury.

### 6 - Ceiling or wall installation :

Please contact your local dealer before attempting any ceiling or wall installation.

### 7 - Ventilation :

The cooling vents ensure a safe use of this product, and avoid any overheating risk. Do not obstruct or cover these vents as it may result in overheating and potential physical injury or product damage. This product should never be operated in a closed non-ventilated area such as a flight case or a rack, unless cooling vents are provided for the purpose.

### 8 - Heat exposure :

Sustained contact or proximity with warm surfaces may cause overheating and product damages. Please keep this product away from any heat source such as a heaters, amplifiers, hot plates, etc...

**WARNING :** This unit contains no user-serviceable parts. Do not open the housing or attempt any maintenance by yourself. In the unlikely even your unit may require service, please contact your nearest dealer.



In order to avoid any electrical malfunction, please do not use any multi-socket, power cord extension or connecting system without making sure they are perfectly isolated and present no defect.

## Recycling your device

- As HITMUSIC is really involved in the environmental cause, we only commercialise clean, ROHS compliant products.
- When this product reaches its end of life, take it to a collection point designated by local authorities. The separate collection and recycling of your product at the time of disposal will help conserve natural resources and ensure that it is recycled in a manner that protects human health and the environment.

### 10 - Electric power supply :

This product can only be operated according to a very specific voltage. These information are specified on the label located at the rear of the product.

### 11 - Power cords protection:

Power-supply cords should be routed so that they are not likely to be walked on or pinched by items placed upon or against them, paying particular attention to cords at lugs, convenience receptacles and the point where they exit from the fixture.

### 12 - Cleaning precautions :

Unplug the product before attempting any cleaning operation. This product should be cleaned only with accessories recommended by the manufacturer. Use a damp cloth to clean the surface. Do not wash this product.

### 13 - Long periods of non use :

Disconnect the unit's main power during long periods of non use.

### 14 - Liquids or objects penetration :

Do not let any object penetrate this product as it may result in electric shock or fire. Never spill any liquid on this product as it may infiltrate the electronic components and result in electric shock or fire.

### 15 - This product should be serviced when :

- Please contact the qualified service personnel if :
- The power cord or the plug has been damaged.
  - Objects have fallen or liquid has been spilled into the appliance.
  - The appliance has been exposed to rain or water.
  - The product does not appear to operate normally.
  - The product has been damaged.

### 16 - Inspection/maintenance :

Please do not attempt any inspection or maintenance by yourself. Refer all servicing to qualified personnel.

### 17 - Operating environment :

Ambient temperature and humidity: +5 - +35°C.  
Do not operate this product in a non-ventilated, or warm place.

## 2 - Technical specifications

### Optical

- › LEDs : 24x 10W RGBWA LEDs
- › Light output :
  - 3133 Lux at 3m
  - 1083 Lux at 3m
- › Double lens designed for a perfect beam diffusion
- › Beam angle: 31°

### Functions

- › Built-in command panel with drop-down display to:
  - Select the DMX address
  - Select the number of channels: 2, 4, 6, 8, 16, 18 or 20
  - Select colour presets or built-in shows
  - Select dimmer curves
  - Master/Slave Mode
  - Manual Mode
  - User program to create your own programs

### Connectors

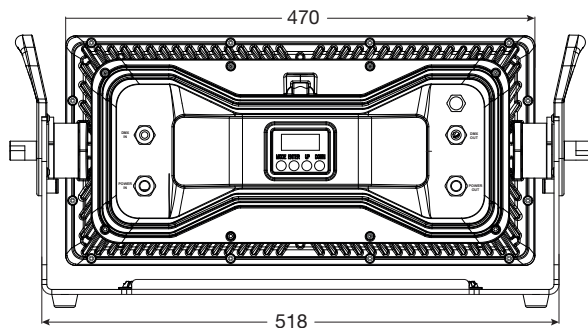
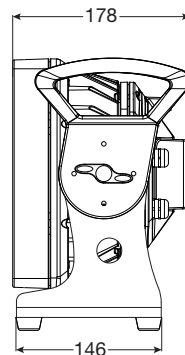
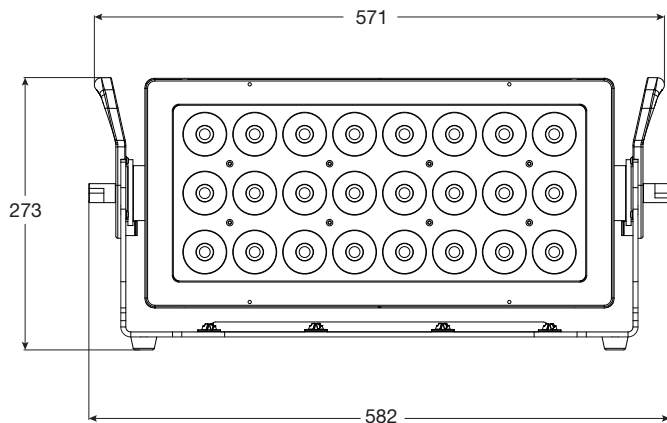
- › DMX IN and OUT via molded cord 3-pin plug
- › POWER IN/OUT via molded cord 3-pin plugs

### Additional information

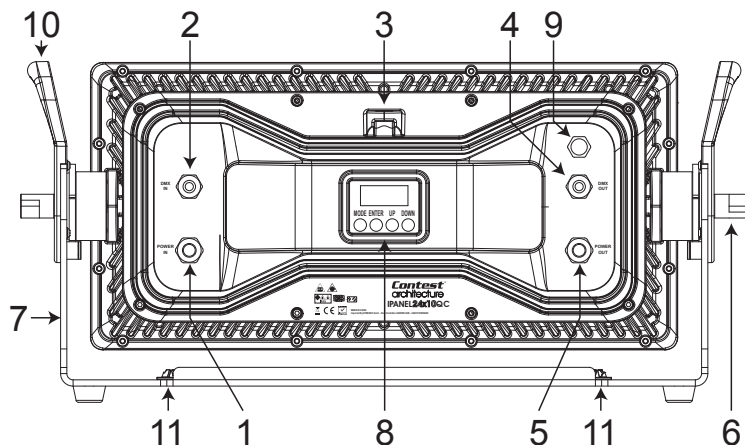
- › Power supply: 100-240V/50-60Hz
- › Power consumption: 240W
- › Cooling system: convection-cooled
- › Finish: die-cast aluminium painted black
- › Pressure compensation valve with waterproof membrane
- › Dimensions: 582 x 270 x 178 mm
- › Weight: 15 Kg

### Package contents:

- The package must contain the following elements:
- › The projector
  - › The user guide
  - › One IP molded cord / 2 poles + earth power cord (1.8 m)
  - › One cord with molded plugs / XLR male (1.0 m)



### 3 - Overview



#### 1 Power input

Allows you to connect your projector to the mains via Seetronic® Power IP/ 2 poles + earth cord. This power cord is supplied with the projector.

Please make sure the voltage of your workplace matches this projector.

#### 2 DMX input / output

3-pin XLR IP Seetronic® XLR input hardwired as follows:

- Pin 1 : Mass
- Pin 2 : Negative signal
- Pin 3 : Positive signal

#### 3 Safety ring

Allows to use a second safety cable. Double safety systems are mandatory for usage in public places.



#### CAUTION!

Please make sure the tightening wheel is securely fastened.

Using a safety cable is mandatory.

When using this device in public places, current legislation requires that each device features a double fixation system to ensure its stability. This system must hold up to 10 times the weight of the device, meaning you will be required to use a cable able to hold 150 kilos.

#### 4 DMX output

3-pin XLR IP Seetronic® XLR input hardwired as follows:

- Pin 1 : Mass
- Pin 2 : Negative signal
- Pin 3 : Positive signal

#### 5 Power output

Allows to connect another projector via a Seetronic cable® Power IP. This cord is not supplied.

#### 6 Tightening wheel for suspension bracket

Allows to adjust the position of the projector and lock it in this position.

#### 7 Double suspension bracket

Lets you hang or stand on the floor and orient the projector.

#### 8 Display and menu buttons

##### Display

Allows you to intuitively configure your device. Please refer to next paragraph for more details about the menu functions. The backlight can be turned off via the Backlight function from the menu.

##### MODE Button

Allows you to access the menu and select a function.

##### ENTER Button

Allows you to enter sub-menus and apply changes.

##### UP and DOWN buttons

Allows you to increase or decrease parameter values.

#### 9 Pressure compensation valve

Temperature changes between periods of activity and inactivity affects the internal pressure of the projector. This valve guarantees the air flows through the projector while blocking water and residues.

#### 10 Carry handle

## 4 - Internal menu

### 4.1 - Initialisation

Upon initialisation, the display will indicate:

```
Update
Wait ...
```

The projector will then check for available updates. It will then initialise, and the display will indicate:

```
IPANEL
24x10QC
```

The projector is ready to be operated once both these steps are completed.

### 4.2 - Menu tree

Menu	Sub-menu	UP and DOWN	Action
Menu Set ADDR	Set Address XXX		Sets the DMX address. Values from 001 to 512.
Menu UserMode	CH: 02/04/06/08 /16/18/20		Allows you to determine the number of DMX channels used. DMX modes: - <b>2-channel mode:</b> Colours and Macros/Dimmer or speed - <b>4-channel mode:</b> Red/Green/Blue/White/Amber - <b>6-channel mode:</b> Red/Green/Blue/White/Amber/Dimmer/Shutter - <b>8-channel mode:</b> Red/Green/Blue/White/Amber/Dimmer/Shutter/Colours and Macros/Speed - 16-channel mode: Red/Green/Blue/White (for each 6 LEDs group) - 18-channel mode: Red/Green/Blue/White (for each 6 LEDs group)/Dimmer/Shutter - 20-channel mode: Red/Green/Blue/White (for each 6 LEDs group)/Dimmer/Shutter/Colours & macros/Macro speed
Menu Function	DimCurve (Dimmer settings)	DimCurve Linear	Brightness settings are exponential
		DimCurve Square	Brightness settings are inversely exponential
		DimCurve I-Square	Brightness increases slowly in lower values and strongly in higher values
		DimCurve S-curve	Brightness increases linearly
	NO DMX Hold/Blackout/ Program		Allows you to select the behaviour of your projector in case of DMX signal interruption: <b>Hold:</b> the projector holds onto its last DMX instruction. <b>Blackout:</b> the projector turns off. <b>Program:</b> the projector enters auto mode.
	AUTO RUN FQN:XX		Run automatic mode
	1.STATIC CL:XXXX	1.STATIC STR:XXX	Run static colour mode Then let adjust the strobe speed
Macros XX		Run macros : from 00 to 14	

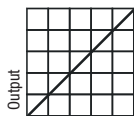
Menu Function (Continuation)	LCD.Set	Backligh XX	Allows you to turn off the backlight when the screen has been inactive. From 1 to 60 seconds.
		Key Lock ON/ON1/Off	Allows you to lock menu buttons. For <b>Key Lock ON</b> : Press the MODE button for 3 seconds to unlock them again. For <b>Key Lock ON1</b> : Press UP, DOWN, UP, DOWN and ENTER to unlock them again.
	DisFlash	DisFlash ON/OFF	Activates or diactivates display flashes in case of absence of DMX signal
	DFSET ON/OFF	Resets back to factory settings.	
	TEMP	TEMP Celsius	Display the temperature of your projector in Celsius.
TEMP Fahren		Display the temperature of your projector in Fahrenheit.	
Info Menu	Info TimeInfo	TimeInfo Current	Displays the number of hours since the projector was last activated. Resets to 0 when the projector shuts off.
		TimeInfo TotalTim	Displays the number of hours since the first time the projector was activated.
		TimeInfo LastClea	Allows you to visualise the amount of time recorded during last session.
		TimeInfo TimerPIN	Allows you to erase the amount of time during the last session. Password is 050.
	Info TempInfo	TempInfo XXX°	Displays the internal temperature of your projector.
	Info ModelInf	IPANEL 24x10QC	Displays the name of the unit.
	Info Software	1U V101C 2U V101C	Displays the current software version. May differ from this manual.
Info ErrorInf	Error.Info Focus	Display error messages.	
Slave Menu	Slave	Activates slave mode.	
Menu Dimmer	Dimmer XXX	Allows you to adjust the dimmer.	
Manual Menu	Manual RED Strobe Red Green Blue White	RED XXX	Allows you to manually adjust each parameter of your projector. Values from 000 to 255.
PlayUser Menu	PlayUser Time	Time 00 - 99	Sets the user programs duration.
	PlayUser Fade	Fade 00 - 99	Sets the fading time between each user program.
	PlayUser Flash	Flash 00 - 99	Configures the strobe intensity during user programs.
	PlayUser Dimmer	Dimmer 000 - 255	Configures the general output of the current user program.
	PlayUser PlasStop	PlasStop Play - Stop	Plays or stops the user program.

EditUser Menu	EditUser Step NB	Step NB 01 - 20	Configures the number of steps included in the user program (max. 20 steps).
	EditUser Step	Step 01 - 20	Allows you to select a step to modify or create.
	EditUser Red/Green/Blue/ White/Amber	Red 000 - 255	Allows you to adjust each colour level for each step selected via EditUser Step.

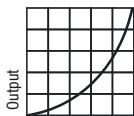
### 4.3 - Various Dim.Curve modes

Dim.Curv modes allow you to define the dimmer behaviour.

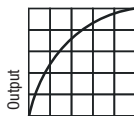
Please find below the 4 modes and the brightness increase depending on the mode and DMX channel levels.



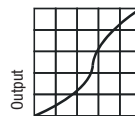
Mode 1 : Linear



Mode 2 : Exponential

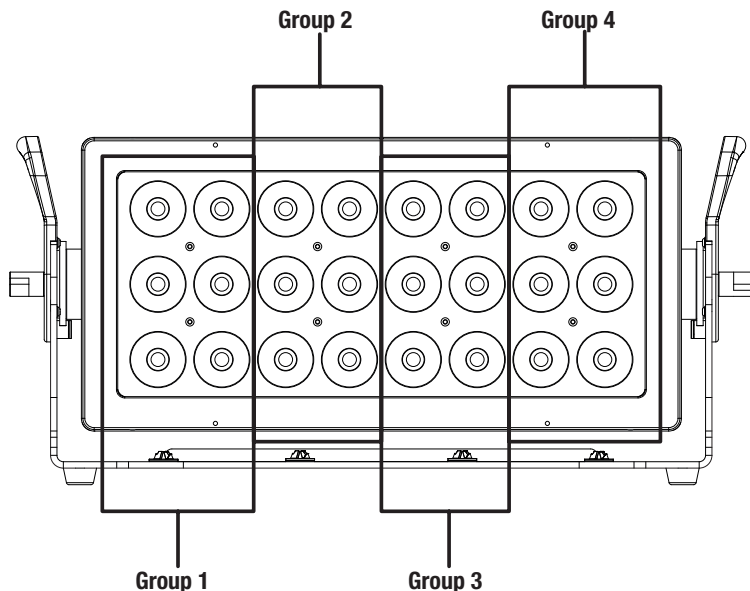


Mode 3 : Parabolic



Mode 3 : S-shaped

### 4.3 - Different 6 LEDs group



## 5 - DMX modes

The projector enters DMX mode as soon as an incoming DMX signal has been detected.

### 5.1 - 2-channel mode

Channel	Values	Action
1	<b>Colour and macros</b>	
	000 - 007	LED off
	008 - 013	Red
	014 - 019	Orange
	020 - 025	Yellow
	026 - 031	Green
	032 - 037	Cyan
	038 - 043	Blue
	044 - 049	Pink
	050 - 055	Magenta
	056 - 061	Cold White
	062 - 067	Warm White
	068 - 073	Full power
	074 - 079	Pastel Pink
	080 - 085	Pastel Apricot
	086 - 091	Very pastel Ocer
	092 - 097	Green/Pastel Yellow
	098 - 103	Pearl/Pastel Green
	104 - 109	Pearl/Pastel Grey
	110 - 115	Pastel pearl
	116 - 121	Pearl/Pastel Blue
	122 - 127	Pastel Veronese Green
	128 - 133	Very pastel Lagoon
	134 - 139	Pastel Sky Blue
	140 - 145	Sky Blue
	146 - 151	Pastel Blue
	152 - 157	Macro 1
	158 - 163	Macro 2
	164 - 169	Macro 3
	170 - 175	Macro 4
176 - 181	Macro 5	
182 - 187	Macro 6	
188 - 193	Macro 7	
194 - 199	Pixel macro 1	
200 - 205	Pixel macro 2	
206 - 211	Pixel macro 3	
212 - 217	Pixel macro 4	
218 - 223	Pixel macro 5	
224 - 229	Pixel macro 7	
230 - 255	Pixel macro 7	
2	<b>Dimmer or speed</b>	
	000 - 255	Dimmer from 0 to 100% if channel 1 set between 008 and 151
	000 - 255	Increasing speed if channel 1 set between 152 and 255

### 5.2 - 4-channel mode

Channel	Values	Action
1	<b>Red</b>	
	000 - 255	000 : black out - 255 : 100%
2	<b>Green</b>	
	000 - 255	000 : black out - 255 : 100%
3	<b>Blue</b>	
	000 - 255	000 : black out - 255 : 100%
4	<b>White</b>	
	000 - 255	000 : black out - 255 : 100%



5.3 - 6-channel mode

Channel	Values	Action
1	<b>Red</b>	
	000 - 255	000 : black out - 255 : 100%
2	<b>Green</b>	
	000 - 255	000 : black out - 255 : 100%
3	<b>Blue</b>	
	000 - 255	000 : black out - 255 : 100%
4	<b>White</b>	
	000 - 255	000 : black out - 255 : 100%
5	<b>Dimmer</b>	
	000 - 255	Adjustable output from 0 - 100%
6	<b>Strobe</b>	
	000 - 031	LED off
	032 - 063	LED on
	064 - 095	Strobe effect at increasing speed
	096 - 127	LED on
	128 - 159	Pulse effects sequence
	160 - 191	LED on
	192 - 223	Random strobe effect at increasing speed
223 - 255	LED on	

5.4 - 8-channel mode

Channel	Values	Action
1	<b>Red</b>	
	000 - 255	000 : black out - 255 : 100%
2	<b>Green</b>	
	000 - 255	000 : black out - 255 : 100%
3	<b>Blue</b>	
	000 - 255	000 : black out - 255 : 100%
4	<b>White</b>	
	000 - 255	000 : black out - 255 : 100%
5	<b>Dimmer</b>	
	000 - 255	Adjustable output from 0 to 100%
6	<b>Strobe</b>	
	000 - 031	LED off
	032 - 063	LED on
	064 - 095	Strobe effect at increasing speed
	096 - 127	LED on
	128 - 159	Pulse effects sequence
	160 - 191	LED on
	192 - 223	Random strobe effect at increasing speed
223 - 255	LED on	
7	<b>Colour and macros</b>	
	000 - 007	LED off
	008 - 013	Red
	014 - 019	Orange
	020 - 025	Yellow
	026 - 031	Green
	032 - 037	Cyan
	038 - 043	Blue
	044 - 049	Pink
	050 - 055	Magenta
056 - 061	Cold White	

## 5.4 - 9-channel mode (next and last part)

7 (continuation)	062 - 067	Warm White
	068 - 073	Full power
	074 - 079	Pastel Pink
	080 - 085	Pastel Apricot
	086 - 091	Very pastel Ocer
	092 - 097	Green/Pastel Yellow
	098 - 103	Pearl/Pastel Green
	104 - 109	Pearl/Pastel Grey
	110 - 115	Pastel pearl
	116 - 121	Pearl/Pastel Blue
	122 - 127	Pastel Veronese Green
	128 - 133	Very pastel Lagoon
	134 - 139	Pastel Sky Blue
	140 - 145	Sky Blue
	146 - 151	Pastel Blue
	152 - 157	Macro 1
	158 - 163	Macro 2
	164 - 169	Macro 3
	170 - 175	Macro 4
	176 - 181	Macro 5
	182 - 187	Macro 6
	188 - 193	Macro 7
	194 - 199	Pixel macro 1
200 - 205	Pixel macro 2	
206 - 211	Pixel macro 3	
212 - 217	Pixel macro 4	
218 - 223	Pixel macro 5	
224 - 229	Pixel macro 7	
230 - 255	Pixel macro 7	
9	<b>Macros speed</b>	
	000 - 255	Increasing speed

## 5.5 - 16-channel mode

Canal	Values	Action
1	<b>Red group 1</b>	
	000 - 255	000 : black out - 255 : 100%
2	<b>Green group 1</b>	
	000 - 255	000 : black out - 255 : 100%
3	<b>Blue group 1</b>	
	000 - 255	000 : black out - 255 : 100%
4	<b>White group 1</b>	
	000 - 255	000 : black out - 255 : 100%
5	<b>Red group 2</b>	
	000 - 255	000 : black out - 255 : 100%
6	<b>Green group 2</b>	
	000 - 255	000 : black out - 255 : 100%
7	<b>Blue group 2</b>	
	000 - 255	000 : black out - 255 : 100%
8	<b>White group 2</b>	
	000 - 255	000 : black out - 255 : 100%
9	<b>Red group 3</b>	
	000 - 255	000 : black out - 255 : 100%

10	<b>Green group 3</b>	
	000 - 255	000 : black out - 255 : 100%
11	<b>Blue group 3</b>	
	000 - 255	000 : black out - 255 : 100%
12	<b>White group 3</b>	
	000 - 255	000 : black out - 255 : 100%
13	<b>Red group 4</b>	
	000 - 255	000 : black out - 255 : 100%
14	<b>Green group 4</b>	
	000 - 255	000 : black out - 255 : 100%
15	<b>Blue group 4</b>	
	000 - 255	000 : black out - 255 : 100%
16	<b>White group 4</b>	
	000 - 255	000 : black out - 255 : 100%

Note : 1 à 4 LED groups are defined in paragraph 4.4.

### 5.6 - 18-channels mode

Canal	Values	Action
1 à 16	Same as channels 1 to 16 in 16 channel mode	
17	<b>Dimmer</b>	
	000 - 255	Adjustable output from 0 to 100%
18	<b>Strobe</b>	
	000 - 031	LED off
	032 - 063	LED on
	064 - 095	Strobe effect at increasing speed
	096 - 127	LED on
	128 - 159	Pulse effects sequence
	160 - 191	LED on
	192 - 223	Random strobe effect at increasing speed
223 - 255	LED on	

### 5.7 - 20-channels mode

Canal	Values	Action
1 à 16	<b>Couleurs RGBW</b> : Same as channels 1 to 16 in 16 channel mode	
17	<b>Dimmer</b> : Same as channel 5 in 6-channel mode	
18	<b>Strobe</b> : Same as channel 6 in 6-channel mode	
19	<b>Couleurs et macros</b> : Same as channel 1 in 2-channel mode	
20	<b>Vitesse des macros</b> : Same as channel 8 in 8-channel mode	

Because CONTEST® takes the utmost care in its products to make sure you only get the best possible quality, our products are subjects to modifications without prior notice. That is why technical specifications and the products physical configuration might differ from the illustrations.  
Make sure you get the latest news and updates about the CONTEST® products on [www.contest-lighting.com](http://www.contest-lighting.com)  
CONTEST® is a trademark of HITMUSIC S.A.S - Zone Cahors sud - 46230 FONTANES - FRANCE