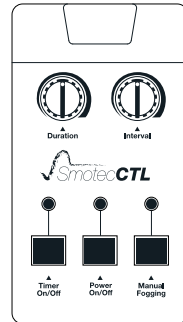
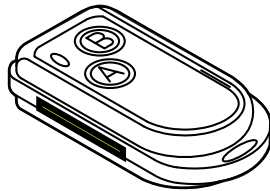
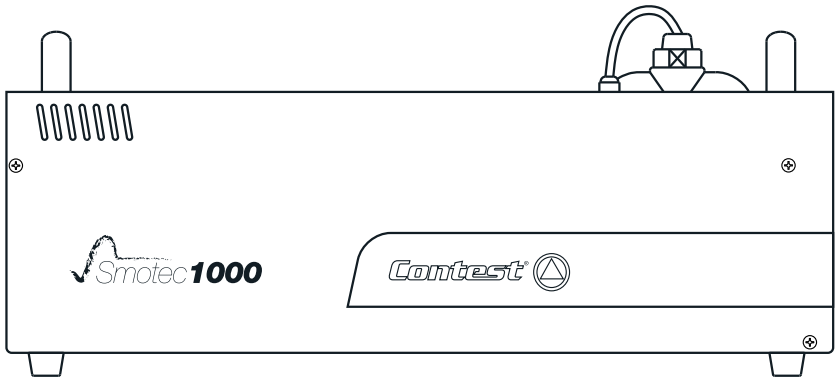


1000W DMX smoke machine with HF remote control and Timer



*Smotec* **1000**

# USER GUIDE

9576 - December 2009 Version 1.0

# 1 - Safety information

## Important safety information



This unit is intended for indoor use only. Do not use it in a wet, or extremely cold/hot locations. Failure to follow these safety instructions could result in fire, electric shock, injury, or damage to this product or other property.



This product contains non-isolated electrical components. Do not undertake any maintenance operation when it is switched on as it may result in electric shock.



Any maintenance procedure must be performed by a CONTEST authorised technical service. Basic cleaning operations must thoroughly follow our safety instructions.



**CAUTION**  
RISK OF ELECTRIC SHOCK  
DO NOT OPEN



**WARNING** : This unit contains no user-serviceable parts. Do not open the housing or attempt any maintenance by yourself. In the unlikely even your unit may require service, please contact your nearest dealer. In order to avoid any electrical malfunction, please do not use any multi-socket, power cord extension or connecting system without making sure they are perfectly isolated and present no defect.



### Warning

This product is equipped with Class 2 LEDs. Please avoid looking directly at the beam as it may cause severe eye injuries.



### Risk of electrocution

To prevent the hazard of electric shocks, do not use extension cords, multi-socket or any other connection system without making sure metal parts completely are out of reach.



### Recycling your device

- As HITMUSIC is really involved in the environmental cause, we only commercialise clean, ROHS compliant products.
- When this product reaches its end of life, take it to a collection point designated by local authorities. The separate collection and recycling of your product at the time of disposal will help conserve natural resources and ensure that it is recycled in a manner that protects human health and the environment.



**WARNING !**  
KEEP AHEAD CLEAR FOR  
AT LEAST 1 M



### Scalding hazard

The outlet nozzle is at very high temperature.  
The smoke is also at very high temperature when getting out of the nozzle. Keep a safe distance of at least 1 m.

## Symbols used



This symbol signals an important safety precaution.



The CAUTION symbol signals a risk of product deterioration.



The WARNING symbol signals a risk to the user's physical integrity. The product may also be damaged.

## Instructions and recommendations

### 1 - Please read carefully :

We strongly recommend to read carefully and understand the safety instructions before attempting to operate this unit.

### 2 - Please keep this manual :

We strongly recommend to keep this manual with the unit for future reference.

### 3 - Operate carefully this product :

We strongly recommend to take into consideration every safety instruction.

### 4 - Follow the instructions:

Please carefully follow each safety instruction to avoid any physical harm or property damage.

### 5 - Avoid water and wet locations :

Do not use this product in rain, or near washbasins or other wet locations.

### 6 - Installation :



We strongly encourage you to only use a fixation system or support recommended by the manufacturer or supplied with this product. Carefully follow the installation instructions and use the adequate tools.

Always ensure this unit is firmly fixed to avoid vibration and slipping while operating as it may result in physical injury.

### 7 - Ceiling or wall installation :

Please contact your local dealer before attempting any ceiling or wall installation.

### 8 - Ventilation :

The cooling vents ensure a safe use of this product, and avoid any overheating risk.

Do not obstruct or cover these vents as it may result in overheating and potential physical injury or product damage. This product should never be operated in a closed non-ventilated area such as a flight case or a rack, unless cooling vents are provided for the purpose .

### 9 - Heat exposure :

Sustained contact or proximity with warm surfaces may cause overheating and product damages. Please keep this product away from any heat source such as a heaters, amplifiers, hot plates, etc...

### 10 - Electric power supply :



This product can only be operated according to a very specific voltage. These information are specified on the label located at the rear of the product.

### 11 - Power cords protection:



Power-supply cords should be routed so that they are not likely to be walked on or pinched by items placed upon or against them, paying particular attention to cords at lugs, convenience receptacles and the point where they exit from the fixture.

### 12 - Cleaning precautions :



Unplug the product before attempting any cleaning operation. This product should be cleaned only with accessories recommended by the manufacturer. Use a damp cloth to clean the surface. Do not wash this product.

### 13 - Long periods of non use :



Disconnect the unit's main power during long periods of non use.

### 14 - Liquids or objects penetration :



Do not let any object penetrate this product as it may result in electric shock or fire.

Never spill any liquid on this product as it may infiltrate the electronic components and result in electric shock or fire.

### 15 - This product should be serviced when :



Please contact the qualified service personnel if :

- The power cord or the plug has been damaged.
- Objects have fallen or liquid has been spilled into the appliance.
- The appliance has been exposed to rain or water.
- The product does not appear to operate normally.
- The product has been damaged.

### 16 - Inspection/maintenance :

Please do not attempt any inspection or maintenance by yourself. Refer all servicing to qualified personnel.

### 17 - Operating environment :



Ambient temperature and humidity: +5 - +35°C, relative humidity must be less than 85% (when cooling vents are not obstructed).

Do not operate this product in a non-ventilated, very humid or warm place..

## 2 - Introduction

Thank you for purchasing the Smotec1000 smoke machine. You now have in your possession a high-quality, powerful and intelligent product which will enlighten your parties, animations, concerts ...

## 3 - Package contents

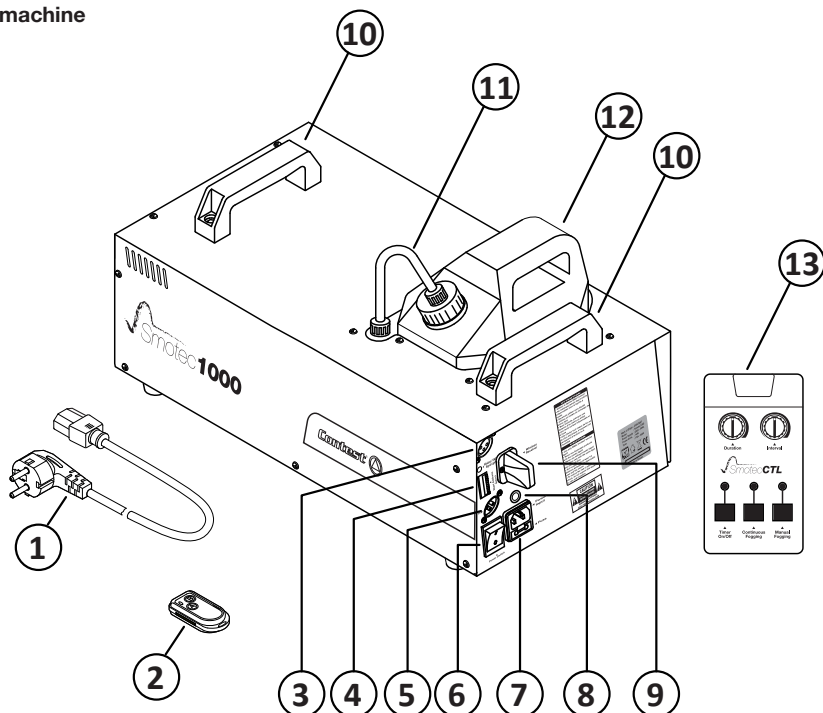
The package must contain the following articles:

- The Smotec1000 and its fluid canister
- The user guide (you are currently reading)
- A wireless remote control
- A wired remote control with Timer
- A Powercon® cord

In the event of one or several missing articles, please contact your retailer immediately.

## 4 - Description

### 4-1 : The smoke machine



#### 1 - Power cord

#### 2 - Remote control

Please refer to the chapter dedicated to the remote control further in this guide for more information.

#### 3 - DMX Output

3-pin DMX socket allowing you to daisy-chain several units.

#### 4 - DMX Addressing dipswitches

These dipswitches allow you to configure the DMX address of your Smotec1000. Refer to the chapter «DMX Addressing» for more information about this.

**5 - DMX input**

3-pin XLR socket allowing you to receive information from a DMX remote control.

**6 - Power switch**

**7 - Power input socket / Fuse**

Connect here the supplied power cord. The fuse has the following characteristics: 5A - 250V, 5 x 20 mm. If need to replace it, please make sure the new one has the same characteristics.

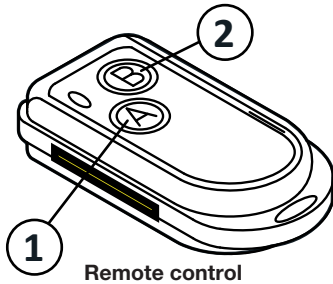
**8 - Remote control input**

Jack 6,35 mm socket. Connect the wired remote control here. More details about this remote control are available further in this guide.

**9 - HF Antenna**

Receives the signals emitted by the remote control. This antenna is directly connected to the Smotec1000 management system, do not try to remove it as it will result in serious internal damages.

**4 -2 : The wireless remote control**



Remote control

**1 - A Button**

Activates the smoke output.

**10 - Transport handles**

**11 - Feeding tube with filter**

**12 - Fluid tank**

Please fill the tank before turning on the device. Your Smotec1500 features a LED gauge automatically detecting the minimum level of fluid in the tank. Once this level reached, the pump will be automatically deactivated and the LED located at the rear will start flashing.

**13 - Wired remote control with timer**

Allows a precise control of your Smotec1000.



Receiver

**2 - B Button**

Stops the smoke output.

**Functions and settings**

- The receivers can receive signals from any linked remote control.
- Each receiver can be linked to up to 5 remote controls.
- The supplied remote control has been linked during the manufacturing process and is ready to go.
- In order to use another remote control, you must link it to your Smotec1000 during the 15 seconds after you turned on your device.

**Note:** You must stay in a 50 m area around the machine for the receiver to maintain a proper connection with the remote control.

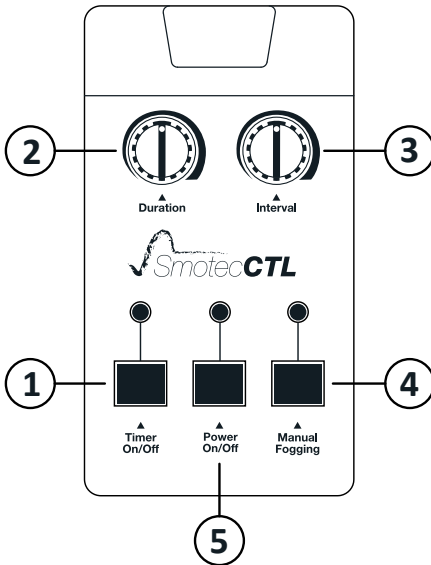
**Linking your HF remote control (transmitter):**

- When turning on the unit, the LED located at the rear will flash during 15 seconds, meaning the smoke machine is waiting for DMX information.
- Press button A of your remote control during these 15 seconds to link it.

- The LED will stop flashing and stay lit in green if information are received.
- In order to use the same remote control to pilot several units, turn on all the units simultaneously and proceed as described above.
- The receiver will keep the last parameters used if no remote control is detected.

**Note :**

- The receiver will delete the previous remote controls when trying to link a new remote control while 5 remote controls have already been linked.

**4-3 : The wired remote control****1 - Timer On/Off**

Activates/deactivates the timer.

This function allows you to program regular intervals between each smoke projection.

It is especially useful if you want to produce a homogeneous cloud of smoke without using too much smoke fluid.

**2 - Duration**

Only available in Timer mode. Allows you to configure the duration of smoke projections.

**3 - Interval**

Only available in Timer mode.

Allows you to adjust the interval between smoke projections..

**4 - Manual Fogging**

Allows you to control manually the smoke output. This function takes priority over the Timer function.

**5 - Power On/Off**

This button activates the remote control.

**5 - DMX Configuration**

Your Smotec1000 features a DMX interface allowing you to control it via a universal DMX remote control. It only requires one DMX channel, controlling the smoke output. The DMX values are as follows:

DMX Value	Effect
129 - 255	On : Smoke output activated
000 - 128	Off : No smoke

## DMX Addressing

To be controlled via DMX devices, each unit needs its own DMX address so the remote control does not send information to untargeted units.

Your Smotec1000 only requires one channel.

Configure your dipswitches 1 to 9 in order for your units to receive the DMX signal. Please refer to the table below to learn about the matches between DMX addresses and the dipswitches binary code.

Dipswitches	#1	#2	#3	#4	#5	#6	#7	#8	#9
Decimal value	1	2	4	8	16	32	64	128	256

### Example:

Address 1: Activate dipswitch #1 (value 1)

Address 9: Activate #1 and #4 ( value 1+8=9)

## 6 - Preparation and maintenance

### Preparation

- Fill the tank with smoke fluid. We strongly recommend to use the Contest® HD5L smoke fluid. It was designed to be used with the Smotec series and guarantees the best visual effects, with a very fast smoke dissipation.
- **Your Smotec1000 and the HD5L fluid have been designed and optimised to be combined together. Using any other smoke fluid will void the warranty of your smoke machine.**
- Connect the power cord of your smoke machine to an electrical outlet. If necessary, position the circuit-breaker power switch on «On».
- Connect a DMX cable from a universal DMX remote control to use it in DMX.
- Please wait approximately 12 minutes for the heater to reach its operating temperature.

### Storage and cleaning

- Once done with your Smotec1000, please unplug it and empty the tank.
- Pour a small amount of deionised water into the tank, plug the machine again and use it as if it was smoke fluid, until there is no water left in order to ensure an optimal lifespan.

## 7 - Technical specifications

- Smoke output: 283m3 / minute
- Heater: 1000W
- Pre-heat time: 12 minutes
- Fluid tank: 2.8 litres
- Regular fluid consumption: 2.5 litres / hour at 100%
- Electronic management of fluid quantities
- Remote control: On /Off
- Remote control batteries : A27S DC 12V
- Remote control: Smoke projections duration and interval from 5 to 200 seconds
- DMX Channel : 1
- Power supply: 230V - 50Hz
- Power consumption: 1100W max.
- Dimensions: 468 x 250 x 148 mm
- Net weight: 11.4 kg

Because CONTEST® takes the utmost care in its products to make sure you only get the best possible quality, our products are subjects to modifications without prior notice. That is why technical specifications and the products physical configuration might differ from the illustrations.

Make sure you get the latest news and updates about the CONTEST® products on [www.contest-lighting.com](http://www.contest-lighting.com)  
CONTEST® is a trademark of HITMUSIC S.A. - Zone Cahors sud - 46230 FONTANES - FRANCE