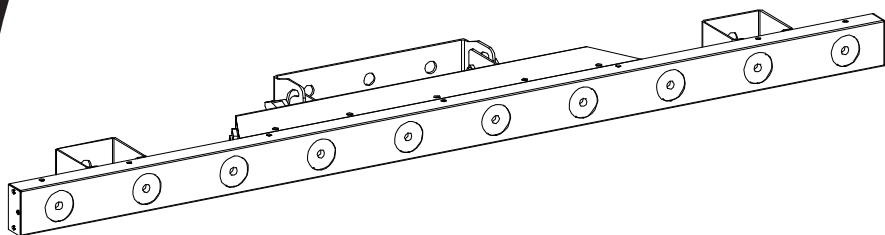




LE CLUB

Contest



SunBar103W

USER GUIDE

10653- Version 1 / 03-2017

1 - Safety information

Important safety information



This unit is intended for indoor use only. Do not use it in a wet, or extremely cold/hot locations. Failure to follow these safety instructions could result in fire, electric shock, injury, or damage to this product or other property.



Any maintenance procedure must be performed by a CONTEST authorised technical service. Basic cleaning operations must thoroughly follow our safety instructions.



This product contains non-isolated electrical components. Do not undertake any maintenance operation when it is switched on as it may result in electric shock.

Symbols used



This symbol signals an important safety precaution.



The WARNING symbol signals a risk to the user's physical integrity. The product may also be damaged.



The CAUTION symbol signals a risk of product deterioration.

Instructions and recommendations

1 - Please read carefully :

We strongly recommend to read carefully and understand the safety instructions before attempting to operate this unit.

2 - Please keep this manual :

We strongly recommend to keep this manual with the unit for future reference.

3 - Operate carefully this product :

We strongly recommend to take into consideration every safety instruction.

4 - Follow the instructions:

Please carefully follow each safety instruction to avoid any physical harm or property damage.

5 - Avoid water and wet locations :

Do not use this product in rain, or near washbasins or other wet locations.

6 - Installation :

We strongly encourage you to only use a fixation system or support recommended by the manufacturer or supplied with this product. Carefully follow the installation instructions and use the adequate tools. Always ensure this unit is firmly fixed to avoid vibration and slipping while operating as it may result in physical injury.

7 - Ceiling or wall installation :

Please contact your local dealer before attempting any ceiling or wall installation.

8 - Ventilation :

The cooling vents ensure a safe use of this product, and avoid any overheating risk. Do not obstruct or cover these vents as it may result in overheating and potential physical injury or product damage. This product should never be operated in a closed non-ventilated area such as a flight case or a rack, unless cooling vents are provided for the purpose.

9 - Heat exposure :

Sustained contact or proximity with warm surfaces may cause overheating and product damages. Please keep this product away from any heat source such as a heaters, amplifiers, hot plates, etc...

10 - Electric power supply :

This product can only be operated according to a very specific voltage. These information are specified on the label located at the rear of the product.

CAUTION

RISK OF ELECTRIC SHOCK

DO NOT OPEN

WARNING: This unit contains no user-serviceable parts. Do not open the housing or attempt any maintenance by yourself. In the unlikely even your unit may require service, please contact your nearest dealer.

In order to avoid any electrical malfunction, please do not use any multi-socket, power cord extension or connecting system without making sure they are perfectly isolated and present no defect.

Warning

This product is equipped with Class 2 LEDs.

Please avoid looking directly at the beam as it may cause severe eye injuries.

Recycling your device

- As HITMUSIC is really involved in the environmental cause, we only commercialise clean, ROHS compliant products.
- When this product reaches its end of life, take it to a collection point designated by local authorities. The separate collection and recycling of your product at the time of disposal will help conserve natural resources and ensure that it is recycled in a manner that protects human health and the environment.

11 - Power cords protection:

Power-supply cords should be routed so that they are not likely to be walked on or pinched by items placed upon or against them, paying particular attention to cords at lugs, convenience receptacles and the point where they exit from the fixture.

12 - Cleaning precautions :

Unplug the product before attempting any cleaning operation. This product should be cleaned only with accessories recommended by the manufacturer. Use a damp cloth to clean the surface. Do not wash this product.

13 - Long periods of non use :

Disconnect the unit's main power during long periods of non use.

14 - Liquids or objects penetration :

Do not let any object penetrate this product as it may result in electric shock or fire. Never spill any liquid on this product as it may infiltrate the electronic components and result in electric shock or fire.

15 - This product should be serviced when :

Please contact the qualified service personnel if :

- The power cord or the plug has been damaged.
- Objects have fallen or liquid has been spilled into the appliance.
- The appliance has been exposed to rain or water.
- The product does not appear to operate normally.
- The product has been damaged.

16 - Inspection/maintenance :

Please do not attempt any inspection or maintenance by yourself. Refer all servicing to qualified personnel.

17 - Operating environment :

Ambient temperature and humidity: +5 - +35°C, relative humidity must be less than 85% (when cooling vents are not obstructed). Do not operate this product in a non-ventilated, very humid or warm place.

2 - Technical specifications

Essential effect for any stage lighting project.

Your SunBar103W is a 10 x 3W LED bar 10 LEDs designed to adapt to any situation. Its 17 built-in pixel effect programs can be accessed via both the automatic mode and DMX mode thanks to its 5 modes. It features a resistant chassis, a fixation system and comprehensive connection plate, making it both easy to set up and use. It only requires 36W to be operated, thus reducing electrical constraints and allowing for more units. These are real advantages turning the SunBar103W into the perfect projector for stage lighting and permanent installations.

Light sources

- › 10 x 3W Warm white LEDs
- › Low temperature, low power consumption, can operate non-stop for many hours

Effects

- › 17 pixel sequence programs with adjustable speed or music-sensitivity
- › Stroboscope at adjustable speed
- › Music-sensitive flash effect
- › Adjustable electronic dimmer from 0 to 100%

Control

- › Standard DMX-512
- › 1, 3, 5, 10 or 15 DMX channels
- › Built-in music-sensitive shows (internal mic)
- › Simplified control of several units in Master / Slave mode
- › Drown-dop display for assignation and mode selection

Additional characteristics

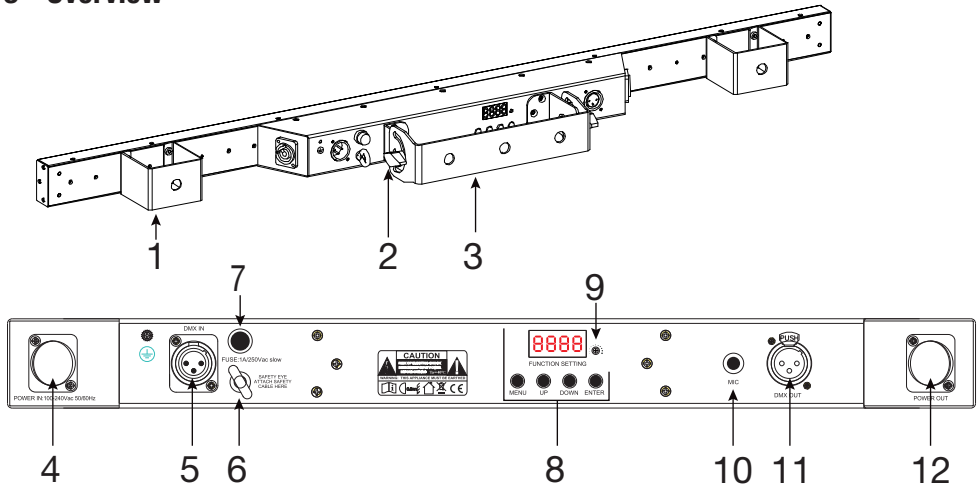
- › Powercon® IN/OUT sockets
- › 3-pin DMX IN/OUT sockets
- › Fixation bracket for hooks
- › Power consumption: 36W max.
- › Power supply: 100/230V, AC - 50/60Hz
- › Dimensions : 999 x 170 x 50 mm
- › Net weight: 3,4 Kg

Package contents:

The package must contain the following elements:

- › The projector
- › The user guide
- › One IEC / Powercon® power cord

3 - Overview



1 Fixation hook

Allows you to hang the projector.

2 Tightening wheel for suspension bracket

Allows you to adjust the angle of your projector and lock its position.

3 Fixation bracket

Allows you to hang and orient the projector.

4 Power input


Allows you to connect your projector to the mains via 2 poles + terre / Powercon® IN cord
Please make sure the voltage of your workplace matches this projector.

5 DMX input

Allows you to receive a signal from a DMX controller or from a master unit.

6 Safety ring

Allows to use a second safety cable. Double safety systems are mandatory for usage in public places.



CAUTION!
Please make sure the tightening wheel is securely fastened.
Using a safety cable is mandatory.
When using this device in public places, current legislation requires that each device features a double fixation system to ensure its stability. This system must hold up to 10 times the weight of the device, meaning you will be required to use a cable able to hold 35 kilos to support your SunBar130W.

7 Fuse

If need to change the fuse, please make sure the new fuse has the exact same characteristics as the old one.

8 Display and menu buttons

Display

Allows you to intuitively configure your device. Please refer to next paragraph for more details about the menu functions. The backlight can be turned off via the Backlight function from the menu.

MENU Button

Allows you to access the menu and select a function.

ENTER Button

Allows you to enter sub-menus and apply changes.

UP and DOWN buttons

Allows you to increase or decrease parameter values.

9 Microphone control knob

Allows you to adjust the internal microphone sensitivity.

10 Microphone

Enables music-sensitive functions and programs.

11 DMX output

Allows you to transmit the signal to other units.

12 Power output

Allows you to power up more units.

4 - Le menu interne

The projector will initialize its functions upon activation. You will then be able to press ENTER to access menus.

MENU	UP and DOWN	Action	ENTER
	DMX Address		
		DMX Address selection Press ENTER and use UP and DOWN to select an address	Saves changes
	DMX Modes		
		3 channels: Patterns selection in automatic or music-sensitive mode	Saves changes
		3 channels: Patterns selection / Patterns speed / Flash effect	
		5 channels: Main dimmer / Strobe / Patterns selection / Patterns speed / Flash effect	
		10 channels: Independent settings for each LED	
		15 channels: Independent settings for each LED, Main dimmer / Strobe / Patterns selection / Patterns speed / Flash effect	

MENU	UP and DOWN	Action	ENTER
SLA	SLAU	Slave mode: The device mimics the Master unit	
SYS	M-En on OFF	Master Mode: Your device controls other SunBar103W units in automatic, music-sensitive or manual mode	Saves changes
	rSPT	Resets all functions	
Aut	APD 1 ↓ AP 17 ↓ AND 1	Patterns 1 to 17 selection then Macro 1 in automatic mode	Saves changes
	S. 01 ↓ S. 99	Speed settings: 01 = minimum speed / 99 = maximum speed	
Sou	SPD 1 ↓ SP 17 ↓ SND 1	Patterns 1 to 17 selection then Macro 1 in automatic mode	Saves changes
	MAN	6000 ↓ 6255 ↓ 5000 ↓ 5100	

5 - DMX modes

5.1 - 1-channel mode

Channels	Values	Action
1	000 - 009	Black-Out
	010 - 022	Slow to fast Pattern 1
	023 - 035	Slow to fast Pattern 2
	036 - 048	Slow to fast Pattern 3
	049 - 061	Slow to fast Pattern 4
	062 - 074	Slow to fast Pattern 5
	075 - 087	Slow to fast Pattern 6
	088 - 100	Slow to fast Pattern 7
	101 - 113	Slow to fast Pattern 8
	114 - 126	Slow to fast Pattern 9
	127 - 139	Slow to fast Pattern 10
	140 - 152	Slow to fast Pattern 11
	153 - 165	Slow to fast Pattern 12
	166 - 178	Slow to fast Pattern 13
	179 - 191	Slow to fast Pattern 14
	192 - 204	Slow to fast Pattern 15
	205 - 217	Slow to fast Pattern 16
218 - 230	Slow to fast Pattern 17	
231 - 243	Slow to fast automatic mode (Patterns 1 to 17)	
244 - 255	Music-sensitive mode (Patterns 1 to 17)	

5.2 - 3-channel mode

Channels	Values	Action
1	Patterns	
	000 - 009	Black-Out
	010 - 022	Slow to fast Pattern 1
	023 - 035	Slow to fast Pattern 2
	036 - 048	Slow to fast Pattern 3
	049 - 061	Slow to fast Pattern 4
	062 - 074	Slow to fast Pattern 5
	075 - 087	Slow to fast Pattern 6
	088 - 100	Slow to fast Pattern 7
	101 - 113	Slow to fast Pattern 8
	114 - 126	Slow to fast Pattern 9
	127 - 139	Slow to fast Pattern 10
	140 - 152	Slow to fast Pattern 11
	153 - 165	Slow to fast Pattern 12
	166 - 178	Slow to fast Pattern 13
	179 - 191	Slow to fast Pattern 14
	192 - 204	Slow to fast Pattern 15
205 - 217	Slow to fast Pattern 16	
218 - 230	Slow to fast Pattern 17	
231 - 255	Slow to fast automatic mode (Patterns 1 to 17)	
2	Patterns 1 to 17 speed settings	
	000 - 247	Increasing speed
	248 - 255	Music-sensitive mode
3	Automatic programs speed	
	000 - 009	No function
	010 - 247	Slow to fast flashes from all LEDs
	248 - 255	Music-sensitive flashes from all LEDs

5.3 - 5-channel mode

Channels	Values	Action
1	Main dimmer	
	000 - 255	Light intensity from 0 to 100%
2	Strobe	
	000 - 009	No function, LEDs on
	010 - 058	Slow to fast strobe
	059 - 107	Slow to fast pulse effect
	108 - 156	Slow to fast strobe pixel effect
	157 - 205	Slow to fast pulse pixel effect
3	Patterns	
		Similar to channel 1 in 3-channel mode
4	Patterns 1 to 17 speed settings	
		Similar to channel 2 in 3-channel mode
5	Automatic programs speed	
		Similar to channel 3 in 3-channel mode

5.4 - 10-channel mode

Channels	Values	Action
1	000 - 255	LED 1 Dimmer
2	000 - 255	LED 2 Dimmer
3	000 - 255	LED 3 Dimmer
4	000 - 255	LED 4 Dimmer
5	000 - 255	LED 5 Dimmer
6	000 - 255	LED 6 Dimmer
7	000 - 255	LED 7 Dimmer
8	000 - 255	LED 8 Dimmer
9	000 - 255	LED 9 Dimmer
10	000 - 255	LED 10 Dimmer

5.5 - 15-channel mode

Channels	Values	Action
1	000 - 255	LED 1 Dimmer
2	000 - 255	LED 2 Dimmer
3	000 - 255	LED 3 Dimmer
4	000 - 255	LED 4 Dimmer
5	000 - 255	LED 5 Dimmer
6	000 - 255	LED 6 Dimmer
7	000 - 255	LED 7 Dimmer
8	000 - 255	LED 8 Dimmer
9	000 - 255	LED 9 Dimmer
10	000 - 255	LED 10 Dimmer
11	Main dimmer	
	000 - 255	Light intensity from 0 to 100%
12	Strobe	
		Similar to channel 2 in 5-channel mode
13	Patterns	
		Similar to channel 1 in 3-channel mode
14	Patterns 1 to 17 speed settings	
		Similar to channel 2 in 3-channel mode
15	Automatic programs speed	
		Similar to channel 3 in 3-channel mode

Because CONTEST® takes the utmost care in its products to make sure you only get the best possible quality, our products are subjects to modifications without prior notice. That is why technical specifications and the products physical configuration might differ from the illustrations.

Make sure you get the latest news and updates about the CONTEST® products on www.contest-lighting.com
CONTEST® is a trademark of HITMUSIC S.A.S - Zone Cahors sud - 46230 FONTANES - FRANCE