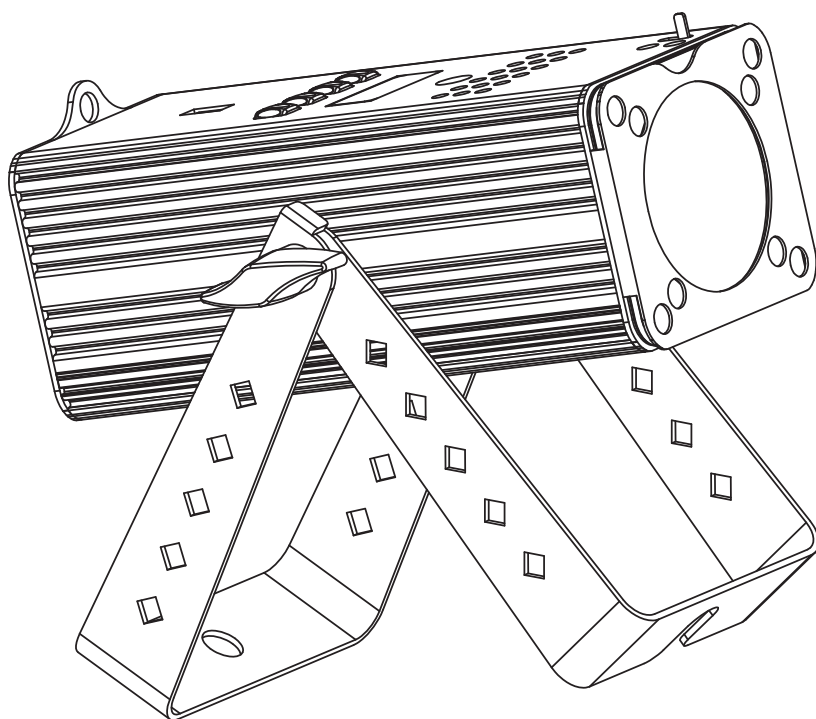


SCENE  
STORE  
EXPO

sfx

scenografx



SFX-BE15QC

# 1 - Safety information

## Important safety information



This unit is intended for indoor use only. Do not use it in a wet, or extremely cold/hot locations. Failure to follow these safety instructions could result in fire, electric shock, injury, or damage to this product or other property.



Any maintenance procedure must be performed by a CONTEST authorised technical service. Basic cleaning operations must thoroughly follow our safety instructions.



This product contains non-isolated electrical components. Do not undertake any maintenance operation when it is switched on as it may result in electric shock.

## Symbols used



This symbol signals an important safety precaution.



The WARNING symbol signals a risk to the user's physical integrity. The product may also be damaged.



The CAUTION symbol signals a risk of product deterioration.

## Instructions and recommendations

### 1 - Please read carefully :

We strongly recommend to read carefully and understand the safety instructions before attempting to operate this unit.

### 2 - Please keep this manual :

We strongly recommend to keep this manual with the unit for future reference.

### 3 - Operate carefully this product :

We strongly recommend to take into consideration every safety instruction.

### 4 - Follow the instructions:

Please carefully follow each safety instruction to avoid any physical harm or property damage.

### 5 - Avoid water and wet locations :

Do not use this product in rain, or near washbasins or other wet locations.

### 6 - Installation :

We strongly encourage you to only use a fixation system or support recommended by the manufacturer or supplied with this product. Carefully follow the installation instructions and use the adequate tools. Always ensure this unit is firmly fixed to avoid vibration and slipping while operating as it may result in physical injury.

### 7 - Ceiling or wall installation :

Please contact your local dealer before attempting any ceiling or wall installation.

### 8 - Ventilation :

The cooling vents ensure a safe use of this product, and avoid any overheating risk. Do not obstruct or cover these vents as it may result in overheating and potential physical injury or product damage. This product should never be operated in a closed non-ventilated area such as a flight case or a rack, unless cooling vents are provided for the purpose .

### 9 - Heat exposure :

Sustained contact or proximity with warm surfaces may cause overheating and product damages. Please keep this product away from any heat source such as a heaters, amplifiers, hot plates, etc..

### 10 - Electric power supply :

This product can only be operated according to a very specific voltage. These information are specified on the label located at the rear of the product.

### 11 - Power cords protection:

Power-supply cords should be routed so that they are not likely to be walked on or pinched by items placed upon or against them, paying particular attention to cords at lugs, convenience receptacles and the point where they exit from the fixture.



**CAUTION**  
RISK OF ELECTRIC SHOCK  
DO NOT OPEN



**WARNING :** This unit contains no user-serviceable parts. Do not open the housing or attempt any maintenance by yourself. In the unlikely even your unit may require service, please contact your nearest dealer.

In order to avoid any electrical malfunction, please do not use any multi-socket, power cord extension or connecting system without making sure they are perfectly isolated and present no defect.



## Warning

This product is equipped with Class 2 LEDs.

Please avoid looking directly at the beam as it may cause severe eye injuries.



## Recycling your device

- As HITMUSIC is really involved in the environmental cause, we only commercialise clean, ROHS compliant products.
- When this product reaches its end of life, take it to a collection point designated by local authorities. The separate collection and recycling of your product at the time of disposal will help conserve natural resources and ensure that it is recycled in a manner that protects human health and the environment.

### 12 - Cleaning precautions :

Unplug the product before attempting any cleaning operation. This product should be cleaned only with accessories recommended by the manufacturer. Use a damp cloth to clean the surface. Do not wash this product.

### 13 - Long periods of non use :

Disconnect the unit's main power during long periods of non use.

### 14 - Liquids or objects penetration :

Do not let any object penetrate this product as it may result in electric shock or fire. Never spill any liquid on this product as it may infiltrate the electronic components and result in electric shock or fire.

### 15 - This product should be serviced when :

- Please contact the qualified service personnel if :
- The power cord or the plug has been damaged.
  - Objects have fallen or liquid has been spilled into the appliance.
  - The appliance has been exposed to rain or water.
  - The product does not appear to operate normally.
  - The product has been damaged.

### 16 - Inspection/maintenance :

Please do not attempt any inspection or maintenance by yourself. Refer all servicing to qualified personnel.

### 17 - Operating environment :

Ambient temperature and humidity: +5 - +35°C, relative humidity must be less than 85% (when cooling vents are not obstructed).

Do not operate this product in a non-ventilated, very humid or warm place.

## 2 - Technical specifications

### Optical

- › 1 x 15W Quadricolor LED
- › Light output of 5070 Lux at 3m
- › Beam angle of 4° (10,30 or 50° filter)

### Functions

- › IR remote control
- › USB port for optionnal WTR-DMX wireless transmitter
- › Built-in command panel with drop-down LCD display to:
  - Select the DMX address
  - Select the number of channels: 1, 4, 6 or 8
  - Select colour change, colour dreaming, auto run, dimming mode
  - Soundactive mode
  - Slave mode
  - Manual mode
  - Select dimmer mode
  - LED mode or halogen mode
  - System reset

### Connectors

- › POWER IN/ OUT via 2P+E / Powercon© socket
- › DMX IN/OUT via 3 pins XLR
- › USB for wireless DMX dongle

### Additional characteristics

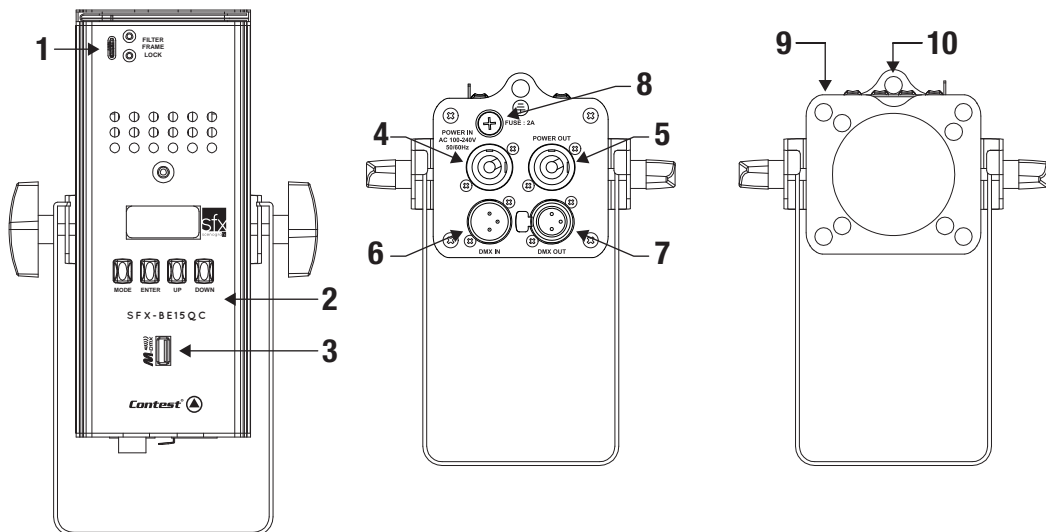
- › Power supply: 100-240V/50-60Hz
- › Power consumption: 19 W
- › Cooling system: Convection-cooled, without forced ventilation
- › Finish: Black die-cast aluminium body
- › Accessories: Supplied with fixation bracket, power cord, 10, 30 and 50° frost filter and filter frame
- › Dimensions: 220 x 147 x 191 mm
- › Weight: 1.8 kg

### Package content:

The package must contain the following items:

- › The projector
- › Its user guide
- › One Powercon© / 2 poles + earth power cord
- › One filter holder
- › 3 frost filters: 10, 30 and 50°

## 3 - Description



**1 Locking latch**

Allows to lock the filter holder.

**2 Display and menu buttons****Display**

Allows you to intuitively configure your device. Please refer to next paragraph for more details about the menu functions. The backlight can be turned off via the Backlight function from the menu.

**MODE Button**

Allows you to access the menu and select a function.

**ENTER Button**

Allows you to enter sub-menus and apply changes.

**UP and DOWN buttons**

Allows you to increase or decrease parameter values.

**3 USB port**

This USB port is used exclusively for connecting a wireless DMX dongle.

This dongle is used to control the projector via DMX protocol.

**4 Power input**

Allows you to power up your projector via Powercon® Power / 2 poles + earth cable. This cable is supplied with the projector. Please make sure the voltage of your workplace matches this projector.

**5 Power output**

Allows you to connect your projector to another projector with a Powercon® Power male/female cord. This cord is not supplied with the projector.

The maximum load accepted by this output is 16A.

**6 DMX input**

3-pin male XLR hardwired as follows:

- Pin 1: Mass
- Pin 2: Negative signal
- Pin 3: Positive signal

**7 DMX output**

3-pin female XLR hardwired as follows :

- Pin 1: Mass
- Pin 2: Negative signal
- Pin 3: Positive signal

**8 Fuse**

If need to change the fuse, please make sure the new fuse has the exact same characteristics as the old one.

**8 Filter holder**

This filter holder is used to support the frost filters supplied with the unit.

**9 Double hook ring****CAUTION!**

Please make sure the tightening wheel is securely fastened.

Using a safety cable is mandatory.

When using this device in public places, current legislation requires that each devices features a double fixation system to ensure its stability. This system must hold up to 10 times times the weight of the device, meaning you will be required to use a cable able to hold 20 kilos to support your SFX-BE15QC.

## 4 - Menu tree

Menu	Sub menu	Action	
DMX MODE	ADDR:001~512	Allows you to set the DMX address. Values can be modified from 001 to 512.	
	CHAN:01/04/06/08	Allows you to select the number of DMX channels DMX operating modes :	
		CHAN:01	Colours and macros
		CHAN:04	Red/Green/Blue/White
		CHAN:06	Red/Green/Blue/White/Dimmer/Shutter
	CHAN:08	Red/Green/Blue/White/Dimmer/Shutter/Colours and macros/ Speed and sensibility	
	NO	Allows you to select the behaviour of your projector in case of DMX signal interruption:	
		BLACK	The projector goes blackout
		HOLD	The projector holds onto its last DMX instruction.
	LED	AUTO	The projector goes onto automatic mode
Allows you to manage the speed of the dimmer			
HALOGEN		The Dimmer is progressive	
	LED	The Dimmer is instantaneous	
SLAVE MODE	The device is in slave mode		
DIM	DIM: 000 ~ 100	Manual dimmer	
MANUAL	RED: 000 ~ 255	Red level adjustment	
	GREEN: 000 ~ 255	Green level adjustment	
	BLUE: 000 ~ 255	Blue level adjustment	
	WHIT: 000 ~ 255	White level adjustment	
	STRO: 00 ~ 15	Strobe speed control	
JUMP RUN	Step mode programs		
	SNAP: 01 ~ 16	Program selection	
	SPEED: 01 ~ 16	Program speed adjustment	

Menu	Sub menu	Action
FADE RUN	Dreaming mode programs	
	FADE: 01 ~ 16	Program selection
	SPEED: 01 ~ 16	Program speed adjustment
AUTO RUN FADE+SNAP	Step and dreaming modes auto programs	
	SPEED: 01 ~ 16	Program speed adjustment
CLR MACS	Colours and macros selection	
	COLOR/MACRO:00~31	Colours and macros selection
	SPEED: 01 ~ 16	Macro speed adjustment
	STROB: 00 ~ 15	Strobe speed adjustment for the macros
SOUND	Mode sonore	
	SENS : 00 ~ 08	Sound sensitivity adjustment
	PRO : 01 ~ 02	Sound program selection
OPTION	BLGT: ON/OFF	Enables the display to be switched off if there is no action on the menu keys for more than 20 seconds
	IR: ON/OFF	Activates the infrared sensor for remote control operation
	WIFI: ON/OFF	Activates the control mode via a DMX WIFI dongle
	SYSRESET	Restores all factory settings

## 5 - DMX modes

### 5.1 - 1-channel mode

Channel	Values	Function
1	<b>Colours and Macros</b>	
	000 - 007	Black
	008 - 015	Red
	016 - 023	Orange
	024 - 030	Yellow
	031 - 038	Green
	039 - 045	Cyan
	046 - 053	Blue
	054 - 060	Pink
	061 - 068	Magenta
	069 - 075	Cold White
	076 - 083	Warm White
	084 - 090	White Full
	091 - 098	Pastel pink
	099 - 105	Pastel apricot
	106 - 113	Pastel light Ocre
	114 - 120	Pastel Yellow Green
	121 - 128	Pastel green pearl
	129 - 135	Pastel grey pearl
	136 - 143	Pastel pearl
	144 - 150	Pastel blue pearl
	151 - 158	Pastel Veronese green
	159 - 165	Pastel light lagoon
	166 - 173	Pastel sky blue
	174 - 180	Clear Blue
	181 - 188	Pastel Blue
	189 - 195	MACRO 1
	196 - 203	MACRO 2
	204 - 210	MACRO 3
	211 - 218	MACRO 4
219 - 225	MACRO 5	
226 - 233	MACRO 6	
234 - 240	MACRO 7	
241 - 248	SOUND color macro 1 : RVB	
249 - 255	SOUND color macro 2 : RVBW	

## 5.2 - 4-channels mode

Channel	Values	Function
1	<b>Rouge</b>	
	000 - 255	000 : Black out - 255 : Rouge 100%
2	<b>Vert</b>	
	000 - 255	000 : Black out - 255 : Vert 100%
3	<b>Bleu</b>	
	000 - 255	000 : Black out - 255 : Bleu 100%
4	<b>Blanc</b>	
	000 - 255	000 : Black out - 255 : Blanc 100%

## 5.3 - 6-channels mode

Channel	Values	Function
1	<b>Red</b>	
	000 - 255	000 : Black out - 255 : Red 100%
2	<b>Green</b>	
	000 - 255	000 : Black out - 255 : Green 100%
3	<b>Blue</b>	
	000 - 255	000 : Black out - 255 : Blue 100%
4	<b>White</b>	
	000 - 255	000 : Black out - 255 : White 100%
5	<b>Dimmer</b>	
	000 - 255	Adjustable brightness from 0 to 100%
6	<b>Shutter</b>	
	000 - 031	LED OFF
	032 - 063	LED ON
	064 - 095	Strobe at increasing speed
	096 - 127	LED ON
	128 - 159	Pulse effect at increasing speed
	160 - 191	LED ON
	192 - 223	Random strobe at increasing speed
224 - 255	LED ON	



## 5.4 - 8-channel mode

Channel	Values	Function
1	<b>Red</b>	
	000 - 255	000 : Black out - 255 : Red 100%
2	<b>Green</b>	
	000 - 255	000 : Black out - 255 : Green 100%
3	<b>Blue</b>	
	000 - 255	000 : Black out - 255 : Blue 100%
4	<b>White</b>	
	000 - 255	000 : Black out - 255 : White 100%
5	<b>Dimmer</b>	
	000 - 255	Adjustable brightness from 0 to 100%
6	<b>Shutter</b>	
	000 - 031	LED OFF
	032 - 063	LED ON
	064 - 095	Strobe at increasing speed
	096 - 127	LED ON
	128 - 159	Pulse effect at increasing speed
	160 - 191	LED ON
	192 - 223	Random strobe at increasing speed
224 - 255	LED ON	
7	<b>Colours and Macros</b>	
	000 - 007	Black
	008 - 015	Red
	016 - 023	Orange
	024 - 030	Yellow
	031 - 038	Green
	039 - 045	Cyan
	046 - 053	Blue
	054 - 060	Pink
	061 - 068	Magenta
	069 - 075	Cold White
	076 - 083	Warm White
084 - 090	White Full	

## 5.4 - 8-channel mode (continuation)

<b>7</b> <b>(continuation)</b>	091 - 098	Pastel pink
	099 - 105	Pastel apricot
	106 - 113	Pastel light Ocre
	114 - 120	Pastel Yellow Green
	121 - 128	Pastel green pearl
	129 - 135	Pastel grey pearl
	136 - 143	Pastel pearl
	144 - 150	Pastel blue pearl
	151 - 158	Pastel Veronese green
	159 - 165	Pastel light logoon
	166 - 173	Pastel sky blue
	174 - 180	Clear Blue
	181 - 188	Pastel Blue
	189 - 195	MACRO 1
	196 - 203	MACRO 2
	204 - 210	MACRO 3
	211 - 218	MACRO 4
	219 - 225	MACRO 5
	226 - 233	MACRO 6
	234 - 240	MACRO 7
241 - 248	SOUND color macro 1 : RVB	
249 - 255	SOUND color macro 2 : RVBW	
<b>8</b>	<b>Speed and sensitivity</b>	
	000 - 255	Macros speed if channel 7 is between 189 and 240
	000 - 255	Sound sensitivity if channel 7 is between 241 and 255

## 6 - Notes

Because CONTEST® takes the utmost care in its products to make sure you only get the best possible quality, our products are subjects to modifications without prior notice. That is why technical specifications and the products physical configuration might differ from the illustrations.  
Make sure you get the latest news and updates about the CONTEST® products on [www.contest-lighting.com](http://www.contest-lighting.com)  
CONTEST® is a trademark of HITMUSIC S.A.S - Parc d'activités Cahors sud - 46230 FONTANES - FRANCE