

# MINISET

# 1 - Safety information

## Important safety information



This unit is intended for indoor use only. Do not use it in a wet, or extremely cold/hot locations. Failure to follow these safety instructions could result in fire, electric shock, injury, or damage to this product or other property.



Any maintenance procedure must be performed by a CONTEST authorised technical service. Basic cleaning operations must thoroughly follow our safety instructions.



This product contains non-isolated electrical components. Do not undertake any maintenance operation when it is switched on as it may result in electric shock.

## Symbols used



This symbol signals an important safety precaution.



The WARNING symbol signals a risk to the user's physical integrity. The product may also be damaged.



The CAUTION symbol signals a risk of product deterioration.

## Instructions and recommendations

### 1 - Please read carefully :

We strongly recommend to read carefully and understand the safety instructions before attempting to operate this unit.

### 2 - Please keep this manual :

We strongly recommend to keep this manual with the unit for future reference.

### 3 - Operate carefully this product :

We strongly recommend to take into consideration every safety instruction.

### 4 - Follow the instructions:

Please carefully follow each safety instruction to avoid any physical harm or property damage.

### 5 - Avoid water and wet locations :

Do not use this product in rain, or near washbasins or other wet locations.

### 6 - Installation :

We strongly encourage you to only use a fixation system or support recommended by the manufacturer or supplied with this product. Carefully follow the installation instructions and use the adequate tools.

Always ensure this unit is firmly fixed to avoid vibration and slipping while operating as it may result in physical injury.

### 7 - Ceiling or wall installation :

Please contact your local dealer before attempting any ceiling or wall installation.

### 8 - Ventilation :

The cooling vents ensure a safe use of this product, and avoid any overheating risk. Do not obstruct or cover these vents as it may result in overheating and potential physical injury or product damage. This product should never be operated in a closed non-ventilated area such as a flight case or a rack, unless cooling vents are provided for the purpose .



**CAUTION**  
RISK OF ELECTRIC SHOCK  
DO NOT OPEN



**WARNING :** This unit contains no user-serviceable parts. Do not open the housing or attempt any maintenance by yourself. In the unlikely even your unit may require service, please contact your nearest dealer.

In order to avoid any electrical malfunction, please do not use any multi-socket, power cord extension or connecting system without making sure they are perfectly isolated and present no defect.



### Warning

This product is equipped with Class 2 LEDs.

Please avoid looking directly at the beam as it may cause severe eye injuries.

### Recycling your device



- As HITMUSIC is really involved in the environmental cause, we only commercialise clean, ROHS compliant products.
- When this product reaches its end of life, take it to a collection point designated by local authorities. The separate collection and recycling of your product at the time of disposal will help conserve natural resources and ensure that it is recycled in a manner that protects human health and the environment.

### 9 - Heat exposure :

Sustained contact or proximity with warm surfaces may cause overheating and product damages. Please keep this product away from any heat source such as a heaters, amplifiers, hot plates, etc...

### 10 - Electric power supply :

This product can only be operated according to a very specific voltage. These information are specified on the label located at the rear of the product.

### 11 - Power cords protection:

Power-supply cords should be routed so that they are not likely to be walked on or pinched by items placed upon or against them, paying particular attention to cords at lugs, convenience receptacles and the point where they exit from the fixture.

### 12 - Cleaning precautions :

Unplug the product before attempting any cleaning operation. This product should be cleaned only with accessories recommended by the manufacturer. Use a damp cloth to clean the surface. Do not wash this product.

### 13 - Long periods of non use :

Disconnect the unit's main power during long periods of non use.

### 14 - Liquids or objects penetration :

Do not let any object penetrate this product as it may result in electric shock or fire. Never spill any liquid on this product as it may infiltrate the electronic components and result in electric shock or fire.

### 15 - This product should be serviced when :

- Please contact the qualified service personnel if :
- The power cord or the plug has been damaged.
  - Objects have fallen or liquid has spilled into the appliance.
  - The appliance has been exposed to rain or water.
  - The product does not appear to operate normally.
  - The product has been damaged.

### 16 - Inspection/maintenance :

Please do not attempt any inspection or maintenance by yourself. Refer all servicing to qualified personnel.

### 17 - Operating environment :

Ambient temperature and humidity: +5 - +35°C, relative humidity must be less than 85% (when cooling vents are not obstructed).  
Do not operate this product in a non-ventilated, very humid or warm place.

## 2 - Introduction

Thank you for purchasing the MINIset.

You now have in your possession a high-quality, powerful and intelligent device.

Your MINIset is composed of four projectors fixed to a power and control bar, a stand, a footswitch, and transport covers.

This user guide will help you getting familiar with the many functions and possibilities offered by your MINIset.

Please keep out within reach during the first uses.

## 3 - Description and installation

### 3.1 - Description

The MINIset offers many possibilities:

- It is either music-sensitive, automatic, or DMX operated
- It features tricolor diodes producing flawless colours
- The footswitch guarantees simplified live controls

- 3 RGB LEDs per projector
- LED 9W - Approximately 30,000 hours
- Beamwidth: 15° per projector
- Digital display with drop-down menu
- IEC Power input socket
- Modes:
  - 3-15 DMX channels
  - Preset colours
  - Step or Fade programs with adjustable speed

- Music-sensitive mode
- Footswitch to control black-outs and programs
- Power consumption: 55 W
- Power supply: 100/240V, AC - 50/60Hz
- DMX input and output
- Wall mounting brackets supplied
- Dimensions: 910 x 242 x 50 mm
- Net weight: 10 kg

### 3.2 - Installation

Your MINIset can be set up in two different ways:

1. Over a 35 mm stand via its mounting plate as described on the figure opposite.

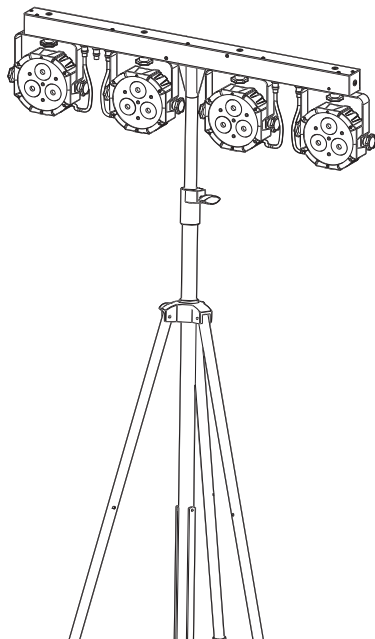
When using stands, please make sure that:

- The stands is located far from the audience in order to prevent any accidental or intentional injury.
- The ceiling is high enough, and no object is above the MINIset in order to prevent heat accumulation.
- The stand is resistant enough to bear the weight of your MINIset. Only use certified and safe stands.
- The stand features a safety system preventing unwanted pipe movements.
- The stand is stable, with a solid base.
- No cable runs amongst the audience.
- The tripod base cannot be reached by the audience and protected by a barrier.
- The tripod must not be placed in front of an emergency exit.

**Note: It is your sole responsibility to respect the local safety regulations when position your stands.**

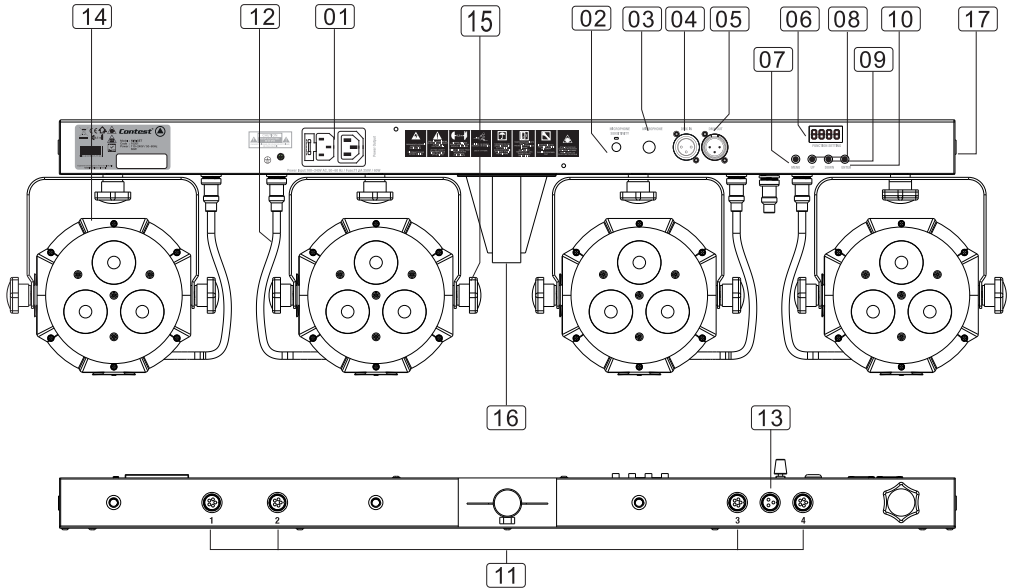
2. Fixated via the supplied mounting brackets.

**Note : Please make sure you are using screws adapted to the type of support.**



Note : The legislation requires that every device set up in a public space features a double fixation bracket. This security system must hold 10 times the weight of the device.

## 3.3 - Overview

**1- Power input sockets**

Can be used to connect the unit to an electrical outlet. Please make sure the voltage of the electrical outlet will not damage your device. Do not daisy-chain more than 20 MINIset on the same chain.

**2- Audio settings**

Allows you to configure the internal microphone sensitivity.

**3- Microphone**

Used for music-sensitive programs.

**4- DMX input**

3-pin male XLR plug wired as follows:

- Ground: 1
- Negative signal: 2
- Positive signal: 3

Can be used to carry the DMX signal (either coming from another device or DMX controller) to the projector.

**5- DMX output**

Can be used to daisy-chain more units. Hardwiring similar to the DMX input.

**6- Display**

Indicates the current status of your device.

**7- MENU Button**

Allows you to access and browse through the internal menu.

**8 and 9- UP and DOWN Buttons**

Allows you to decrease/increase values.

**10- ENTER Button**

Allows you to confirm your choices.

**11- Connectors for projectors**

Allows you to connect projectors to the bar.

**12- Connection cable**

Allows you to send command signals from the bar to the projector.

**13- Footswitch connector**

Allows you to connect the supplied footswitch.

**14- Projector**

The projector is passive and cannot be operated without the bar and power supply cord.

**15- Clamping knob**

Allows you to adjust the angle of your projectors.

**16- Mounting plate for stands**

Allows you to pole mount the bar over a stand.

**Note: It is your sole responsibility to respect the local safety regulations when position your stands.**

**17- Ground connection terminal**

Allows you to connect the bar to the ground of your electrical network. Please note that the power plug of your MINIset features a ground connector.

## 4 - Getting started

### 4.1 - Using the menu

#### 4.1.1 - Presentation of the various modes:



##### **DMX Mode:**

The display indicates the bar DMX address. Press ENTER and use the Up or Down buttons to modify it. Press ENTER to confirm your choice and save changes.



##### **AUTO PROGRAM Mode:**

The display indicates the number of the current program from AP01 to AP12. Press ENTER and use the Up or Down buttons to modify these settings. Press ENTER to confirm your choice and save changes.

The strobe speed can also be adjusted from F00 (no flash) to F08 (fastest strobe).



##### **MANUAL Mode:**

Allows you to adjust the red, green and blue level of the projectors bar. Press ENTER and use the Up or Down buttons to configure.

r00-r08: indicates the red level from 0 to 100%.

g00-g08: indicates the green level from 0 to 100%.

b00-b08: indicates the blue level from 0 to 100%.

Once configured, press ENTER to confirm your choice.

The strobe speed can also be adjusted from F00 (no flash) to F08 (fastest strobe).



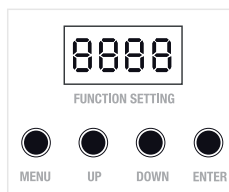
##### **AUDIO Mode:**

Allows you to configure the internal microphone sensitivity. Press ENTER and use the Up or Down buttons to configure the sensitivity from SP00 to SP03.

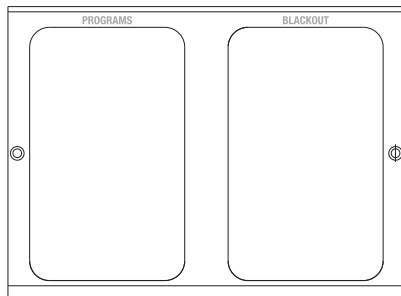


##### **OBEY3 Mode:**

Allows you to activate the 3-channel DMX mode allowing you to controls all projectors Red, Green and Blue levels simultaneously.



## 4.2.3 - Footswitch



The footswitch features two pedals:

**BLACKOUT:**

Allows you to activate the bar, turning on all projectors, or activate the blackout mode, turning off all projectors. The display will then indicate: **OFF**.

**PROGRAMS:**

Allows you to activate the automatic mode. The display will indicate **APon**. Each pressure on the pedal switches from a program to another (AP01 to 1AP12) and ALL indicates a sequence including the 12 programs will be launched.

Press again this pedal to select colour changes:

Red -> Green -> Blue -> Red Green -> Green Blue -> Red Blue -> Red Green Blue

## 4.2.4 - The various DMX modes

**3-channel mode:** the display indicates

06-3

DMX Channels	DMX Values	Functions
<b>CHANNEL 1</b>	000-255	Red levels for all projectors
<b>CHANNEL 2</b>	000-255	Green levels for all projectors
<b>CHANNEL 3</b>	000-255	Blue levels for all projectors

15-channel mode:

CHANNEL 1		CHAN. 2	CHANNEL 3		CHAN. 4	CHAN. 5	CHAN. 6	---	CHAN. 15
000-009	RGB colour changes	000-255 - RGB DIMMER 0 - 100%	If chan. 1 between 000 and 009	If chan. 1 between 010 and 255	If chan. 1 between 000 and 009				
010-029	Program 1		000-015 No strobe	000-015 Zero speed	000-255 - Projector 1 RED level from 0 - 100%	000-255 - Projector 1 GREEN level from 0 - 100%	000-255 - Projector 1 BLUE level from 0 - 100%	-----	000-255 - Projector 4 BLUE level from 0 - 100%
030-049	Program 2		016-255 - Slow to fast STROBE	016-255 - Slow to fast program SPEED					
050-069	Program 3								
070-089	Program 4								
090-109	Program 5								
110-129	Program 6								
130-149	Program 7								
150-169	Program 8								
170-189	Program 9								
190-209	Program 10								
210-229	Program 11								
230-249	Program 12								
250-255	4 music-sensitive modes								

**NOTE :**

The 15-channel mode heavily depends on the first channel settings.  
 Please make sure the first channel settings are correct in order to configure other functions.  
 In order to use programs 1 to 12, please make sure the channel 3 speed settings are correct.  
 Channels 4 to 15 are colour-dedicated. Their settings is only available if the first channel is set between 000 and 009.

## 4.2.5 - Using the Master / Slave mode

The Master / Slave mode allows you to synchronise several devices.  
In Master / Slave mode, the first unit will control the others.

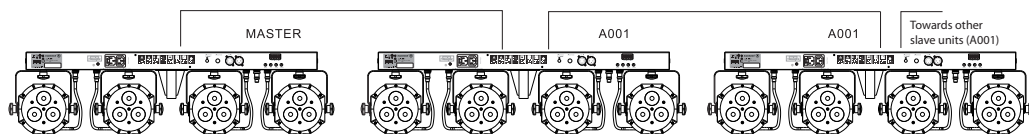
### Configuring the Master unit

The master unit can be configured in Automatic mode and controlled via the footswitch.

### Configuring one or several Slave units

Press MODE until reaching the DMX menu. The display will indicate the DMX address of your projector.  
Use the UP and DOWN buttons to select A001 and confirm by pressing ENTER.

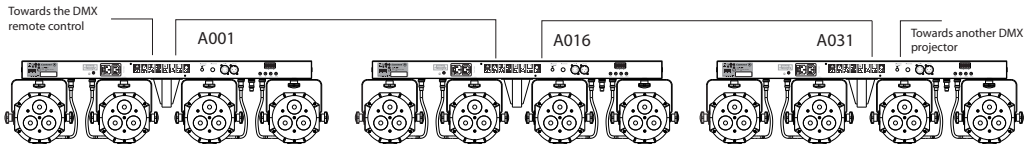
Note: All Slave units connected to the Master unit must be set on address 1 (A001) and will be synchronised to the master unit.





### 4.2.6 - DMX Addressing

Your MINIset uses 15 DMX channels, meaning each projector must be addressed accordingly. The first one, for instance, can be addressed as A001 while the second one will be addressed as A016 (1+15). The connections are established via 3-pin XLR DMX cables:



Because CONTEST® takes the utmost care in its products to make sure you only get the best possible quality, our products are subjects to modifications without prior notice. That is why technical specifications and the products physical configuration might differ from the illustrations.

Make sure you get the latest news and updates about the CONTEST® products on [www.contest-lighting.com](http://www.contest-lighting.com)  
CONTEST® is a trademark of HITMUSIC S.A. - Zone Cahors sud - 46230 FONTANES - FRANCE