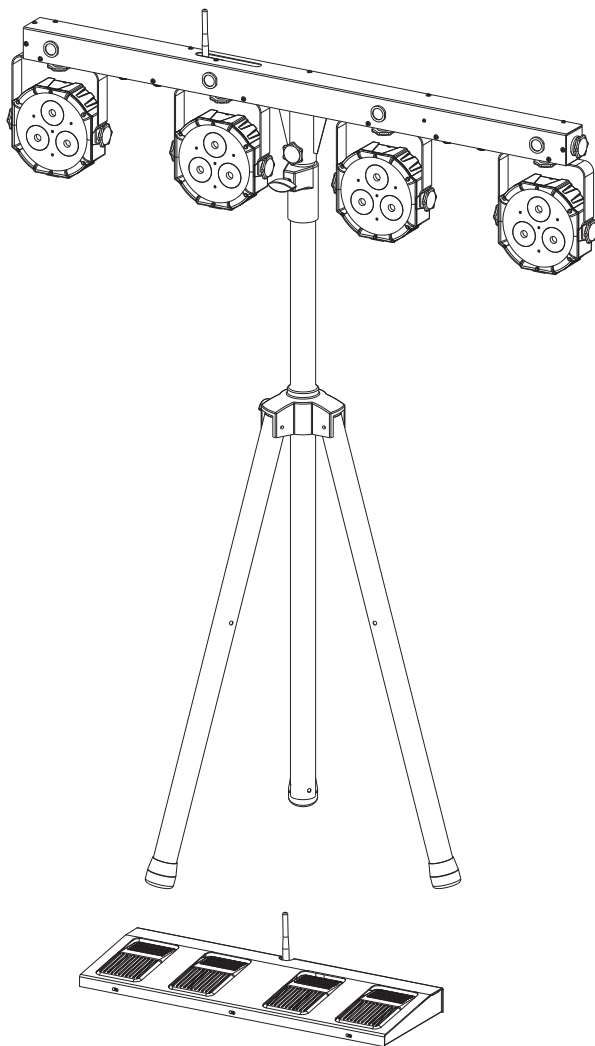


4-PROJECTOR BAR WITH 3 X 9W LEDS AND 1 X 1W FLASH LED



# LIVESET

# 1 - Safety information

## Important safety information



This unit is intended for indoor use only. Do not use it in a wet, or extremely cold/hot locations. Failure to follow these safety instructions could result in fire, electric shock, injury, or damage to this product or other property.



Any maintenance procedure must be performed by a CONTEST authorised technical service. Basic cleaning operations must thoroughly follow our safety instructions.



This product contains non-isolated electrical components. Do not undertake any maintenance operation when it is switched on as it may result in electric shock.

## Symbols used



This symbol signals an important safety precaution.



The WARNING symbol signals a risk to the user's physical integrity. The product may also be damaged.



The CAUTION symbol signals a risk of product deterioration.

## Instructions and recommendations

### 1 - Please read carefully :

We strongly recommend to read carefully and understand the safety instructions before attempting to operate this unit.

### 2 - Please keep this manual :

We strongly recommend to keep this manual with the unit for future reference.

### 3 - Operate carefully this product :

We strongly recommend to take into consideration every safety instruction.

### 4 - Follow the instructions:

Please carefully follow each safety instruction to avoid any physical harm or property damage.

### 5 - Avoid water and wet locations :

Do not use this product in rain, or near washbasins or other wet locations.

### 6 - Installation :

We strongly encourage you to only use a fixation system or support recommended by the manufacturer or supplied with this product. Carefully follow the installation instructions and use the adequate tools.

Always ensure this unit is firmly fixed to avoid vibration and slipping while operating as it may result in physical injury.

### 7 - Ceiling or wall installation :

Please contact your local dealer before attempting any ceiling or wall installation.

### 8 - Ventilation :

The cooling vents ensure a safe use of this product, and avoid any overheating risk. Do not obstruct or cover these vents as it may result in overheating and potential physical injury or product damage. This product should never be operated in a closed non-ventilated area such as a flight case or a rack, unless cooling vents are provided for the purpose .

**CAUTION**

**RISK OF ELECTRIC SHOCK**

**DO NOT OPEN**

**WARNING :** This unit contains no user-serviceable parts. Do not open the housing or attempt any maintenance by yourself. In the unlikely even your unit may require service, please contact your nearest dealer.

In order to avoid any electrical malfunction, please do not use any multi-socket, power cord extension or connecting system without making sure they are perfectly isolated and present no defect.

**Warning**

This product is equipped with Class 2 LEDs.

Please avoid looking directly at the beam as it may cause severe eye injuries.

**Recycling your device**

- As HITMUSIC is really involved in the environmental cause, we only commercialise clean, ROHS compliant products.
- When this product reaches its end of life, take it to a collection point designated by local authorities. The separate collection and recycling of your product at the time of disposal will help conserve natural resources and ensure that it is recycled in a manner that protects human health and the environment.

### 9 - Heat exposure :

Sustained contact or proximity with warm surfaces may cause overheating and product damages. Please keep this product away from any heat source such as a heaters, amplifiers, hot plates, etc...

### 10 - Electric power supply :

This product can only be operated according to a very specific voltage. These information are specified on the label located at the rear of the product.

### 11 - Power cords protection:

Power-supply cords should be routed so that they are not likely to be walked on or pinched by items placed upon or against them, paying particular attention to cords at lugs, convenience receptacles and the point where they exit from the fixture.

### 12 - Cleaning precautions :

Unplug the product before attempting any cleaning operation. This product should be cleaned only with accessories recommended by the manufacturer. Use a damp cloth to clean the surface. Do not wash this product.

### 13 - Long periods of non use :

Disconnect the unit's main power during long periods of non use.

### 14 - Liquids or objects penetration :

Do not let any object penetrate this product as it may result in electric shock or fire. Never spill any liquid on this product as it may infiltrate the electronic components and result in electric shock or fire.

### 15 - This product should be serviced when :

- Please contact the qualified service personnel if :
- The power cord or the plug has been damaged.
  - Objects have fallen or liquid has been spilled into the appliance.
  - The appliance has been exposed to rain or water.
  - The product does not appear to operate normally.
  - The product has been damaged.

### 16 - Inspection/maintenance :

Please do not attempt any inspection or maintenance by yourself. Refer all servicing to qualified personnel.

### 17 - Operating environment :

Ambient temperature and humidity: +5 - +35°C, relative humidity must be less than 85% (when cooling vents are not obstructed).  
Do not operate this product in a non-ventilated, very humid or warm place.

## 2 - Introduction

Thank you for purchasing the LIVESET.

You now have in your possession a high-quality, powerful and intelligent device.

Your LIVESET features 4 RGB projectors and 4 white LEDs located on the power and control bar.

This user guide will help you getting familiar with the many functions and possibilities offered by your LIVESET.

Please keep it within reach during the first uses.

## 3 - Description and installation

### 3.1 - Description

Your LIVESET offers many possibilities:

- It is either music-sensitive, automatic, or controlled via DMX or wireless footswitch
  - It also both features 3-colour LEDs while the white LEDs create a strobe effect.
- Light sources:
    - 12 x 9W RGB LEDs
    - 4 x 1W White LEDs (stroboscope)
  - Life expectancy of approximately 30.000 hours
  - Low temperature, low power consumption, can be operated non-stop for many hours
  - 1, 4, 18 or 19 DMX channels:
    - Preset shows
    - Built-in programs
    - Individual colour control
    - Control each strobe LEDs
    - Dimmer
    - Music-sensitive
  - Modes:
    - DMX
    - Independent
    - Music-sensitive
  - Master / slave (Music-sensitive or auto)
  - Beamwidth: 15°
  - Adjustable tripod from 1.5m to 2.5m
  - Power supply: 100-240V 50/60Hz
  - Power consumption: 108 Watts
  - Fuse: F1,6A
  - Dimensions: 1032 x 70 x 235 mm
  - Net weight: 10,2 kg

### 3.2 - Installation

Your LIVESET can be set up in two different ways:

1. Over a 35 mm stand via its mounting plate as described on the figure opposite.

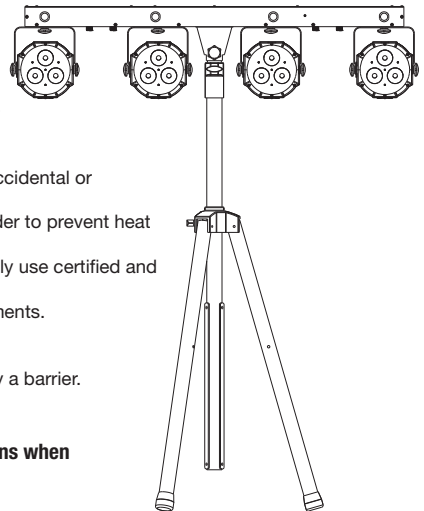
When using stands, please make sure that:

- The stands is located far from the audience in order to prevent any accidental or intentional injury.
- The ceiling is high enough, and no object is above the LIVESET in order to prevent heat accumulation.
- The stand is resistant enough to bear the weight of your LIVESET. Only use certified and safe stands.
- The stand features a safety system preventing unwanted pipe movements.
- The stand is stable, with a solid base.
- No cable runs amongst the audience.
- The tripod base cannot be reached by the audience and protected by a barrier.
- The tripod must not be placed in front of an emergency exit.

**Note: It is your sole responsibility to respect the local safety regulations when position your stands.**

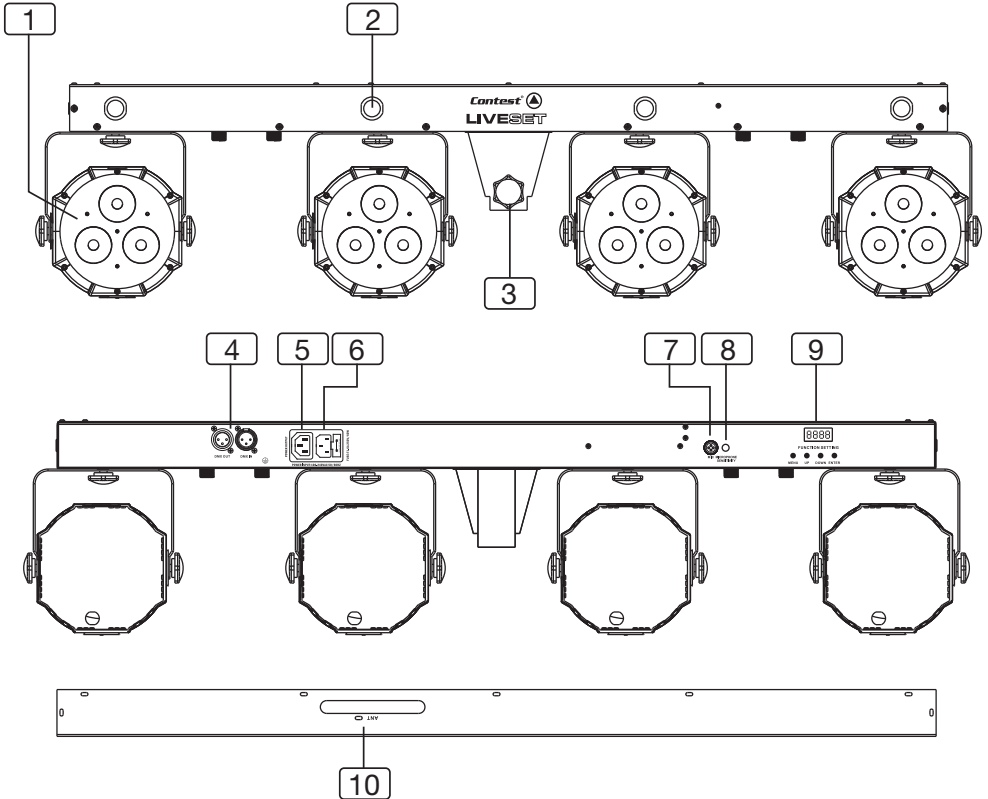
2. Fixated via the supplied mounting brackets.

**Note : Please make sure you are using screws adapted to the type of support.**



Note : The legislation requires that every device set up in a public space features a double fixation bracket. This security system must hold 10 times the weight of the device.

## 3.3 - Overview

**1- RGB Projectors**

Each projector features 3 x 9W LEDs: 1 red, 1 green, 1 blue.

**2- White LEDs**

Each LED delivers 1W.

**3- Mounting plate**

Allows you to use the supplied tripod.

**4- DMX Input/Output**

3-pin male XLR plug wired as follows:

- Ground: 1
- Negative signal: 2
- Positive signal: 3

**5- Power output**

Allows you to daisy chain more projectors.

Please make sure to never exceed 340W via this output.

**6- Power input**

Connects your projector to the mains by using the supplied IEC/2 poles+earth cable.

Please make sure the voltage of the electrical outlet will not damage your device.

**7- Microphone**

Used for music-sensitive programs.

**8- MICROPHONE SENSITIVITY knobs**

Allows you to adjust the microphone sensitivity to fit your mood.

**9- Display**

Indicates the current status of your device and allows to use the menu.

**10- Antenna**

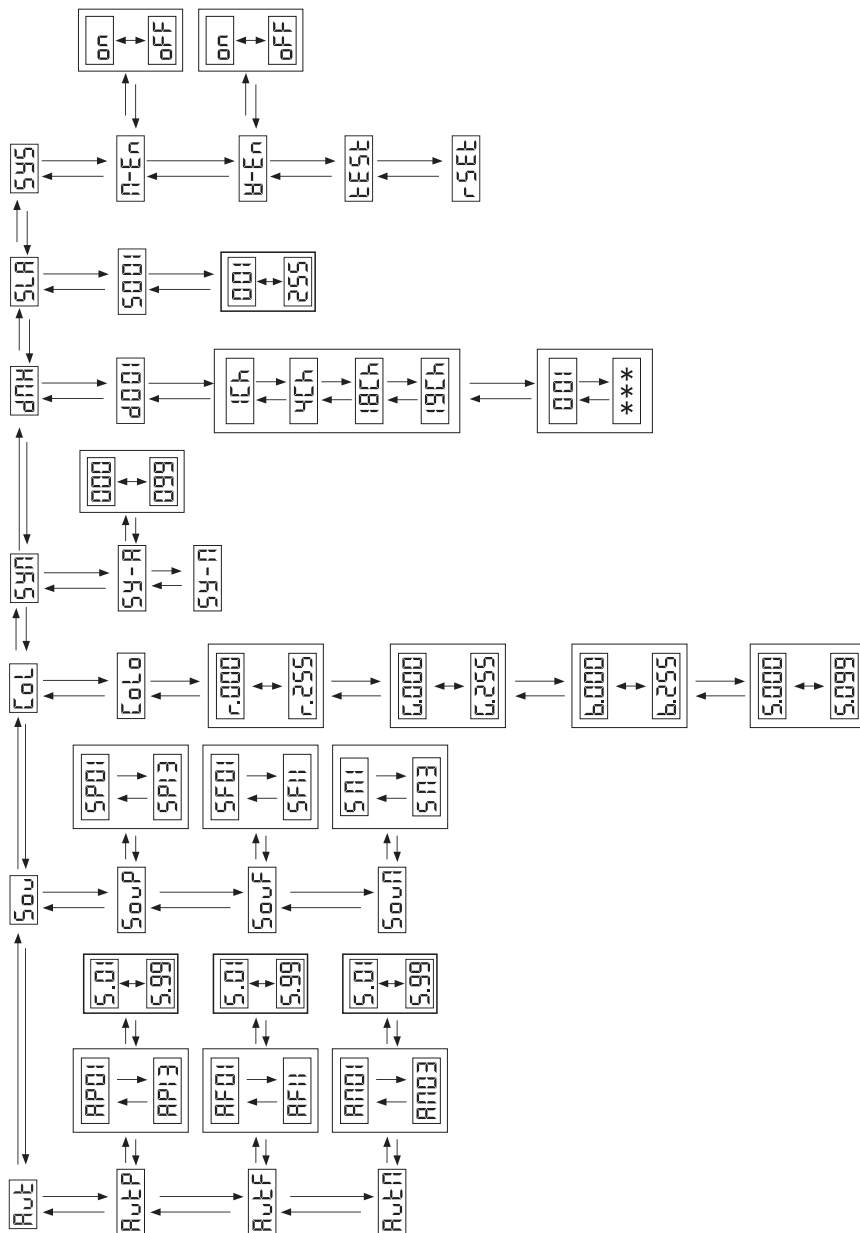
Allows your LIVESET to communicate with its wireless footswitch.

## 4 - Using the menu


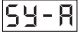
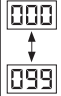
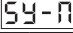

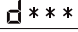
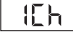





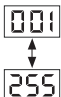


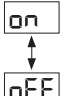

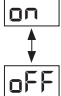
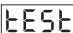
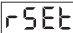
Press MODE to access the main menu. Please find below how to interact with menus:

- **MODE:** Allows you to access menus and navigate between them.
- **ENTER:** Validates your choice or enters a submenu.
- **UP and DOWN:** Allows you to modify values.

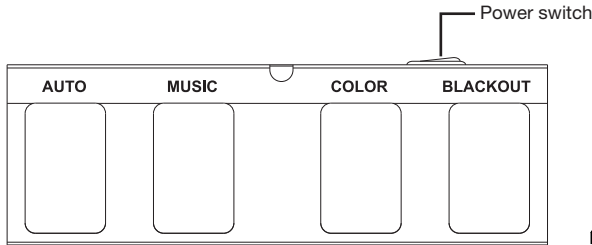
Please find below the whole menu tree:



MODE	ENTER	UP and DOWN	Action	ENTER
<p><b>Aut</b></p> <p>Shows automatiques</p>	<b>AutP</b>	<div style="border: 1px solid black; padding: 2px; display: inline-block;">AP01</div> ↑ ↓ <div style="border: 1px solid black; padding: 2px; display: inline-block;">AP13</div>	Automatic shows 1 to 13 from all 4 RGB projectors	Saves changes
	<b>AutF</b>	<div style="border: 1px solid black; padding: 2px; display: inline-block;">AF01</div> ↑ ↓ <div style="border: 1px solid black; padding: 2px; display: inline-block;">AF11</div>	Automatic shows 1 to 11 from all 4 white LEDs	Saves changes
	<b>AutA</b>	<div style="border: 1px solid black; padding: 2px; display: inline-block;">AN01</div> ↑ ↓ <div style="border: 1px solid black; padding: 2px; display: inline-block;">AN03</div>	Automatic shows 1 to 3 from all 4 projectors and white LEDs	Saves changes
		<div style="border: 1px solid black; padding: 2px; display: inline-block;">S.01</div> ↑ ↓ <div style="border: 1px solid black; padding: 2px; display: inline-block;">S.99</div>	Shows speed	Saves changes
<p><b>Sou</b></p> <p>Music-sensitive shows</p>	<b>SouP</b>	<div style="border: 1px solid black; padding: 2px; display: inline-block;">SP01</div> ↑ ↓ <div style="border: 1px solid black; padding: 2px; display: inline-block;">SP13</div>	Music-sensitive shows 1 to 13 from all 4 RGB projectors	Saves changes
	<b>SouF</b>	<div style="border: 1px solid black; padding: 2px; display: inline-block;">SF01</div> ↑ ↓ <div style="border: 1px solid black; padding: 2px; display: inline-block;">SF11</div>	Music-sensitive shows 1 to 11 from all 4 white LEDs	Saves changes
	<b>SouA</b>	<div style="border: 1px solid black; padding: 2px; display: inline-block;">SA01</div> ↑ ↓ <div style="border: 1px solid black; padding: 2px; display: inline-block;">SA03</div>	Music-sensitive shows 1 to 3 from all 4 projectors and white LEDs	Saves changes
<p><b>Col</b></p> <p>Individual colour settings (Affect all projectors at once)</p>		<div style="border: 1px solid black; padding: 2px; display: inline-block;">r.000</div> ↑ ↓ <div style="border: 1px solid black; padding: 2px; display: inline-block;">r.255</div>	Red LEDs intensity settings for for all 4 projectors	Saves changes
		<div style="border: 1px solid black; padding: 2px; display: inline-block;">G.000</div> ↑ ↓ <div style="border: 1px solid black; padding: 2px; display: inline-block;">G.255</div>	Green LEDs intensity settings for for all 4 projectors	Saves changes
		<div style="border: 1px solid black; padding: 2px; display: inline-block;">b.000</div> ↑ ↓ <div style="border: 1px solid black; padding: 2px; display: inline-block;">b.255</div>	Blue LEDs intensity settings for for all 4 projectors	Saves changes
	<b>Colo</b>	<div style="border: 1px solid black; padding: 2px; display: inline-block;">S.000</div> ↑ ↓ <div style="border: 1px solid black; padding: 2px; display: inline-block;">S.099</div>	Strobe speed settings for all 4 white LEDs	Saves changes

MODE	ENTER	UP and DOWN	Action	ENTER
 Sync mode			Auto sync mode with speed settings	Saves changes
				Music-sensitive synchronous mode
 DMX Addressing and channel settings	 DMX address configuration		1 channel: Sequence including RGB projectors shows and white LEDs shows	Saves changes
			4 channels: Projector shows; Projector shows settings; white LEDs shows; white LEDs shows settings	
			18 channels: Individual dimmer for each LED of each projector; Main dimmer; crossfade effect and strobe speed; Strobe speed for each white LED	
			19 channels: Individual dimmer for each LED of each projector; Main dimmer; crossfade effect and strobe speed; Strobe speed for each white LED; Projector shows; Projector shows speed; white LEDs shows; white LEDs shows settings	
 Slave mode activation and settings			Slave mode: the units replicates the Master unit's behaviour. Once slave mode has been activated, you can set the DMX address for slave mode.	Saves changes
 Special functions			Allows you to activate Master mode. In this mode, your device will communicate its behaviour to other devices via its DMX output.	Saves changes
			Allows you to communicate with the wireless footswitch	Saves changes
			Tests all functions	Saves changes
			Resets to factory settings	Saves changes

## 5 - Using the wireless footswitch



The footswitch can only be used if the W-EN mode from SYS menu has been activated. DMX and SLAVE modes must be deactivated in order to use the footswitch. The footswitch includes a 23AE, 12V battery.



Please turn off your footswitch when you are not using your LIVESET in order to preserve its battery.

Pedal	Function
AUTO	Launches programs in auto mode
SOUND	Launches programs in music-sensitive mode
COLOR	Allows you to access fixed colours in the following order: Red, green, red and green, blue, red and blue, red and green and blue.
BLACKOUT	Shuts off the projector

## 6 - DMX Modes

### 6.1 - 1-channel mode

Channel	Values	Action
1	000 - 009	Black-out
	010 - 072	Sequence with shows 1 to 12 of RGB projectors, from slow to fast
	073 - 132	Sequence with shows 1 to 10 of white LEDs in automatic mode, from slow to fast
	133 - 195	Sequence with shows 1 to 3 of all RGB projectors and white LEDs in auto mode, from slow to fast
	196 - 215	Sequence with shows 1 to 13 of RGB projectors, music-sensitive
	216 - 235	Sequence with shows 1 to 10 of white LEDs in automatic music-sensitive
	236 - 255	Sequence with shows 1 to 3 of all RGB projectors and white LEDs in auto mode, music-sensitive

### 6.2 - 4-channel mode

Channel	Values	Action
1	<b>RGB Projectors show</b>	
	000-009	<b>Blackout</b>
	010-028	RGB Projectors show 1
	029-047	RGB Projectors show 2
	048-066	RGB Projectors show 3
	067-085	RGB Projectors show 4
	086-104	RGB Projectors show 5
	105-123	RGB Projectors show 6
	124-142	RGB Projectors show 7
	143-161	RGB Projectors show 8
	162-180	RGB Projectors show 9
	181-199	RGB Projectors show 10
	200-218	RGB Projectors show 11
	219-237	RGB Projectors show 12
	238-255	RGB Projectors show 13 (includes shows 1 to 12)
2	<b>Shows and RGB projectors behaviours</b>	
	000 - 243	Increasing speed
	244 - 255	Music-sensitive



## 6.2 - 4-channel mode (continuation and end)

3	<b>White LEDs shows</b>	
	000 - 009	Black-out
	010 - 031	Show 1
	032 - 053	Show 2
	054 - 075	Show 3
	076 - 097	Show 4
	098 - 119	Show 5
	120 - 141	Show 6
	142 - 163	Show 7
	164 - 185	Show 8
	186 - 207	Show 9
208 - 229	Show 10	
230 - 255	Show 11 (includes shows 1 to 10)	
4	<b>White LEDs shows behaviours</b>	
	000 - 243	Increasing speed
	244 - 255	Music-sensitive

## 6.3 - 18-channel mode

Channel	Values	Action
<b>RGB Dimmer for projector 1</b>		
1	000 - 255	Red dimmer from 0 - 100%
2	000 - 255	Green dimmer from 0 - 100%
3	000 - 255	Blue dimmer from 0 - 100%
<b>RGB Dimmer for projector 2</b>		
4	000 - 255	Red dimmer from 0 - 100%
5	000 - 255	Green dimmer from 0 - 100%
6	000 - 255	Blue dimmer from 0 - 100%
<b>RGB Dimmer for projector 3</b>		
7	000 - 255	Red dimmer from 0 - 100%
8	000 - 255	Green dimmer from 0 - 100%
9	000 - 255	Blue dimmer from 0 - 100%
<b>RGB Dimmer for projector 4</b>		
10	000 - 085	Red dimmer from 0 - 100%
11	086 - 170	Green dimmer from 0 - 100%
12	171 - 255	Blue dimmer from 0 - 100%
13	<b>Main dimmer</b>	
	000 - 255	Intensity from 0 to 100%
14	<b>Pulse effect and strobe for RGB projectors</b>	
	000 - 009	No function
	010 - 083	Slow to fast pulse effect
	084 - 163	Fast to slow pulse effect
	164 - 243	Slow to fast strobe effect
244 - 255	Music-sensitive strobe effect	
15	<b>White LED 1 strobe effect</b>	
	000 - 009	Black-out
	010 - 255	Slow to fast strobe effect
16	<b>White LED 2 strobe effect</b>	
	000 - 009	Black-out
	010 - 255	Slow to fast strobe effect
17	<b>White LED 3 strobe effect</b>	
	000 - 009	Black-out
	010 - 255	Slow to fast strobe effect
14	<b>White LED 4 strobe effect</b>	
	000 - 009	Black-out
	010 - 255	Slow to fast strobe effect

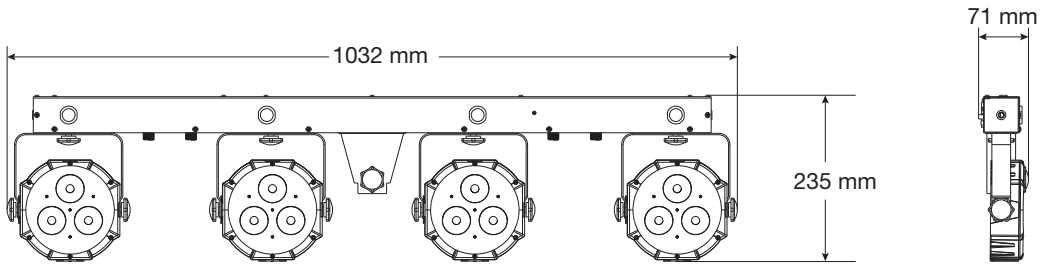
## 6.4 - 20-channel mode

Canal	Valeurs	Action
<b>Dimmer for RGB Projector 1</b>		
1	000 - 255	Red dimmer from 0 - 100%
2	000 - 255	Green dimmer from 0 - 100%
3	000 - 255	Blue dimmer from 0 - 100%
<b>Dimmer for RGB Projector 1</b>		
4	000 - 255	Red dimmer from 0 - 100%
5	000 - 255	Green dimmer from 0 - 100%
6	000 - 255	Blue dimmer from 0 - 100%
<b>Dimmer for RGB Projector 3</b>		
7	000 - 255	Red dimmer from 0 - 100%
8	000 - 255	Green dimmer from 0 - 100%
9	000 - 255	Blue dimmer from 0 - 100%
<b>Dimmer for RGB Projector 4</b>		
10	000 - 085	Red dimmer from 0 - 100%
11	086 - 170	Green dimmer from 0 - 100%
12	171 - 255	Blue dimmer from 0 - 100%
13	<b>Main dimmer</b> 000 - 255	Intensity from 0 - 100%
14	<b>Pulse and strobe effect for RGB projectors</b>	
	000 - 009	No function
	010 - 083	Slow to fast pulse effect
	084 - 163	Fast to slow pulse effect
	164 - 243	Slow to fast strobe effect
244 - 255	Music-sensitive strobe effect	
15	<b>White LEDs strobe speed</b> 000 - 255	Slow to fast strobe effect
16	<b>RGB Projector shows</b>	
	000-009	<b>Blackout</b>
	010-028	RGB Projectors Show 1
	029-047	RGB Projectors Show 2
	048-066	RGB Projectors Show 3
	067-085	RGB Projectors Show 4
	086-104	RGB Projectors Show 5
	105-123	RGB Projectors Show 6
	124-142	RGB Projectors Show 7
	143-161	RGB Projectors Show 8
	162-180	RGB Projectors Show 9
	181-199	RGB Projectors Show 10
	200-218	RGB Projectors Show 11
219-237	RGB Projectors Show 12	
238-255	RGB Projectors Show 13 (includes shows 1 to 12)	
17	<b>RGB Projectors shows behaviour configuration</b>	
	000 - 243	Increasing speed
	244 - 255	Music-sensitive mode

## 6.4 - 20-channel mode (continuation and end)

Channel	Values	Action
18	<b>White LEDs shows</b>	
	000 - 009	Black-out
	010 - 031	Show 1
	032 - 053	Show 2
	054 - 075	Show 3
	076 - 097	Show 4
	098 - 119	Show 5
	120 - 141	Show 6
	142 - 163	Show 7
	164 - 185	Show 8
	186 - 207	Show 9
	208 - 229	Show 10
	230 - 255	Show 11 (sequence including shows 1 to 10)
19	<b>White LED shows behaviour</b>	
	000 - 243	Increasing speed
	244 - 255	Music-sensitive

## 7 - Dimensions



Because CONTEST® takes the utmost care in its products to make sure you only get the best possible quality, our products are subjects to modifications without prior notice. That is why technical specifications and the products physical configuration might differ from the illustrations.

Make sure you get the latest news and updates about the CONTEST® products on [www.contest-lighting.com](http://www.contest-lighting.com)  
CONTEST® is a trademark of HITMUSIC S.A. - Zone Cahors sud - 46230 FONTANES - FRANCE