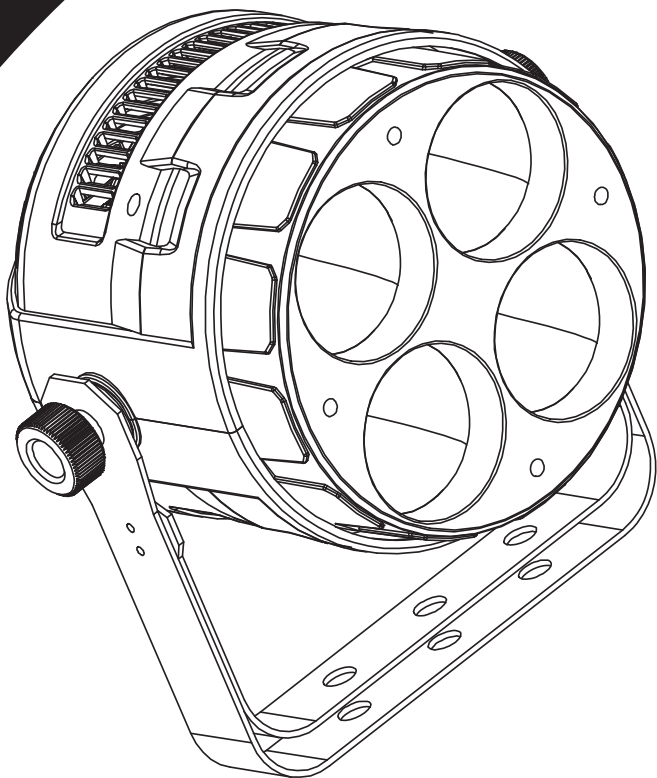




LE CLUB
Contest



Kadeo460QC

USER GUIDE
10652- Version 1 / 03-2017

1 - Safety information

Important safety information



This unit is intended for indoor use only. Do not use it in a wet, or extremely cold/hot locations. Failure to follow these safety instructions could result in fire, electric shock, injury, or damage to this product or other property.



Any maintenance procedure must be performed by a CONTEST authorised technical service. Basic cleaning operations must thoroughly follow our safety instructions.



This product contains non-isolated electrical components. Do not undertake any maintenance operation when it is switched on as it may result in electric shock.

Symbols used



This symbol signals an important safety precaution.



The WARNING symbol signals a risk to the user's physical integrity. The product may also be damaged.



The CAUTION symbol signals a risk of product deterioration.

Instructions and recommendations

1 - Please read carefully :

We strongly recommend to read carefully and understand the safety instructions before attempting to operate this unit.

2 - Please keep this manual :

We strongly recommend to keep this manual with the unit for future reference.

3 - Operate carefully this product :

We strongly recommend to take into consideration every safety instruction.

4 - Follow the instructions:

Please carefully follow each safety instruction to avoid any physical harm or property damage.

5 - Avoid water and wet locations :

Do not use this product in rain, or near washbasins or other wet locations.

6 - Installation :

We strongly encourage you to only use a fixation system or support recommended by the manufacturer or supplied with this product. Carefully follow the installation instructions and use the adequate tools. Always ensure this unit is firmly fixed to avoid vibration and slipping while operating as it may result in physical injury.

7 - Ceiling or wall installation :

Please contact your local dealer before attempting any ceiling or wall installation.

8 - Ventilation :

The cooling vents ensure a safe use of this product, and avoid any overheating risk. Do not obstruct or cover these vents as it may result in overheating and potential physical injury or product damage. This product should never be operated in a closed non-ventilated area such as a flight case or a rack, unless cooling vents are provided for the purpose.

9 - Heat exposure :

Sustained contact or proximity with warm surfaces may cause overheating and product damages. Please keep this product away from any heat source such as a heaters, amplifiers, hot plates, etc...

10 - Electric power supply :

This product can only be operated according to a very specific voltage. These information are specified on the label located at the rear of the product.

CAUTION

RISK OF ELECTRIC SHOCK

DO NOT OPEN

WARNING: This unit contains no user-serviceable parts. Do not open the housing or attempt any maintenance by yourself. In the unlikely even your unit may require service, please contact your nearest dealer.

In order to avoid any electrical malfunction, please do not use any multi-socket, power cord extension or connecting system without making sure they are perfectly isolated and present no defect.

Warning

This product is equipped with Class 2 LEDs.

Please avoid looking directly at the beam as it may cause severe eye injuries.

Recycling your device

- As HITMUSIC is really involved in the environmental cause, we only commercialise clean, ROHS compliant products.
- When this product reaches its end of life, take it to a collection point designated by local authorities. The separate collection and recycling of your product at the time of disposal will help conserve natural resources and ensure that it is recycled in a manner that protects human health and the environment.

11 - Power cords protection:

Power-supply cords should be routed so that they are not likely to be walked on or pinched by items placed upon or against them, paying particular attention to cords at lugs, convenience receptacles and the point where they exit from the fixture.

12 - Cleaning precautions :

Unplug the product before attempting any cleaning operation. This product should be cleaned only with accessories recommended by the manufacturer. Use a damp cloth to clean the surface. Do not wash this product.

13 - Long periods of non use :

Disconnect the unit's main power during long periods of non use.

14 - Liquids or objects penetration :

Do not let any object penetrate this product as it may result in electric shock or fire. Never spill any liquid on this product as it may infiltrate the electronic components and result in electric shock or fire.

15 - This product should be serviced when :

Please contact the qualified service personnel if :

- The power cord or the plug has been damaged.
- Objects have fallen or liquid has been spilled into the appliance.
- The appliance has been exposed to rain or water.
- The product does not appear to operate normally.
- The product has been damaged.

16 - Inspection/maintenance :

Please do not attempt any inspection or maintenance by yourself. Refer all servicing to qualified personnel.

17 - Operating environment :

Ambient temperature and humidity: +5 - +35°C, relative humidity must be less than 85% (when cooling vents are not obstructed). Do not operate this product in a non-ventilated, very humid or warm place.

2 - Technical specifications

Light sources

- › 4 x 60W 4-in-1 RGBW LEDs
- › Front lens with rotative effect
- › PAR beam angle from 6° to 80° via motorized zoom

Colours

- › Main RGBW settings
- › Colour macros

Colours

- › Zoom from 6° to 80°
- › 3 beam rotation modes:
 - indexable
 - infinity at adjustable speed
 - adjustable shake
- › Stroboscope at adjustable speed
- › Adjustable electronic dimmer from 0 to 100%

Control

- › Standard DMX-512
- › 1, 10 or 12 DMX channels
- › Built-in music-sensitive shows (internal mic)
- › Drop-down display for assignation and mode selection

Additional characteristics

- › Power consumption: 350W max.
- › Power supply: 100/230V, AC - 50/60Hz
- › Dimensions: 342 x 320 x 305 mm
- › Net weight: 6,3 Kg

Package contents:

The package must contain the following elements:

- › The projector
- › The user guide

3 - Description

1 Display, menu buttons and LED indicators

Display

Allows you to intuitively configure your device. Please refer to next paragraph for more details about the menu functions. The backlight can be turned off via the Backlight function from the menu.

MODE Button

Allows you to access the menu and select a function.

ENTER Button

Allows you to enter sub-menus and apply changes.

UP and DOWN buttons

Allows you to increase or decrease parameter values.

DMX LED

Flashes regularly when the DMX mode is activated.

POWER LED

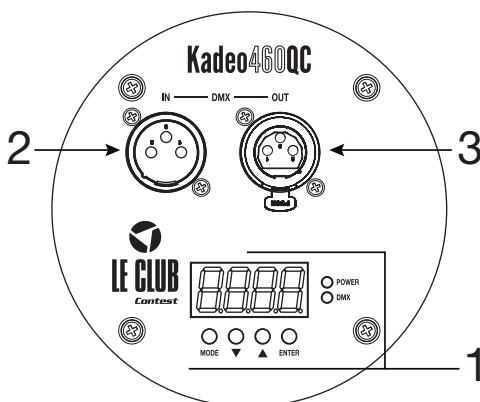
Lights up when your device is activated.

2 DMX input

Allows you to receive a signal from a DMX controller or from a master unit.

3 Power output

Allows you to power up more units.



4 - Internal menu

The projector will initialize its functions upon activation.
You will then be able to press ENTER to access menus.
Please find the menu tree description below.

MENU	UP and DOWN	Action	ENTER
DMX address			
<input type="text" value="1"/>		DMX Address selection Press ENTER and use UP and DOWN to select an address	Saves changes
<input type="text" value="512"/>			
DMX modes			
<input type="text" value="dnPr"/>	<input type="text" value="Mod1"/>	Mod1 : 1 channel: Shows selection in auto or music-sensitive mode	Press ENTER, then select a mode using the UP and DOWN buttons. Saves changes
	<input type="text" value="Mod2"/>	Mod2 : 12 channels : Dimmer / Shutter / Red / Green / Blue / White / Beam Effect/ Beam effect speed / Zoom / Special functions	
	<input type="text" value="Mod3"/>	Mod3 : 12 channels : Dimmer / Shutter / Red / Green / Blue / White / Colour presets / Colour macros / Beam Effect/ Beam effect speed / Zoom / Special functions	
Display settings			
<input type="text" value="PErS"/>	<input type="text" value="dISP"/>	<input type="text" value="on"/> <input type="text" value="10Mn"/>	Display behaviour: on : The display never turns off 10Mn : The display automatically turns off after a 10-second period
	<input type="text" value="turn"/>		Rotates the display
	<input type="text" value="drES"/>	<input type="text" value="on"/> <input type="text" value="off"/>	Resets DMX information
	<input type="text" value="SCut"/>	<input type="text" value="on"/> <input type="text" value="off"/>	Allows you to adapt beams width to smaller rooms
Mesut reset			
<input type="text" value="dFSE"/>	<input type="text" value="FACT"/> <input type="text" value="LoAd"/>	Resets the menu back to factory settings.	Saves changes
Uptime information and resets			
<input type="text" value="info"/>	<input type="text" value="thrS"/>	<input type="text" value="totL"/>	Total projector uptime since last reset.
	<input type="text" value="rSEt"/>		Resets the ThrS function back to 0.
	<input type="text" value="tLhr"/>	<input type="text" value="totL"/>	Total LEDs uptime since last projector reset.
	<input type="text" value="rSEt"/>		Resets the TLhr function back to 0.

MENU	UP and DOWN	Action	ENTER
<div style="border: 1px solid black; padding: 2px; display: inline-block;">info</div> (continuation)	<div style="border: 1px solid black; padding: 2px; display: inline-block;">tLSt</div>	<div style="border: 1px solid black; padding: 2px; display: inline-block;">totL</div> Total projector uptime since its very first activation.	Saves changes
	<div style="border: 1px solid black; padding: 2px; display: inline-block;">rSEt</div>	Projector uptime since last reset.	
	<div style="border: 1px solid black; padding: 2px; display: inline-block;">vEr</div>	Current software version.	
<div style="border: 1px solid black; padding: 2px; display: inline-block;">MAN</div>	Manual mode		Saves changes
	<div style="border: 1px solid black; padding: 2px; display: inline-block;">CH 1</div> ⋮ <div style="border: 1px solid black; padding: 2px; display: inline-block;">CH 12</div>	Manually adjusts each of the 12 channel.	
<div style="border: 1px solid black; padding: 2px; display: inline-block;">tEst</div>	Test mode		Saves changes
	<div style="border: 1px solid black; padding: 2px; display: inline-block;">Aut 1</div>	Tests each function in automatic mode	
	<div style="border: 1px solid black; padding: 2px; display: inline-block;">Auto</div>	Tests each function in music-sensitive mode	
<div style="border: 1px solid black; padding: 2px; display: inline-block;">FINE</div>	Non used function		
<div style="border: 1px solid black; padding: 2px; display: inline-block;">rSEt</div>	Reset		Saves changes
	<div style="border: 1px solid black; padding: 2px; display: inline-block;">rSt</div>	Resets all functions	

5 - DMX modes

5.1 - 1-channel mode

Channel	Values	Action
1	000 - 007	Black-Out
	008 - 059	Slow to fast Show 1 in automatic mode
	060 - 111	Slow to fast Show 2 in automatic mode
	112 - 163	Slow to fast Show 3 in automatic mode
	164 - 215	Slow to fast Show 4 in automatic mode
	216 - 225	Music-sensitive Show 1
	226 - 235	Music-sensitive Show 2
	236 - 245	Music-sensitive Show 3
	246 - 255	Music-sensitive Show 4

5.2 - 10-channel mode

Channels	Values	Action
1	Dimmer	000 - 255
		Increasing brightness from 0 to 100%
2	Shutter	
		000 - 015
		016 - 131
		132 - 139
		140 - 181
		182 - 189
		190 - 231
		232 - 239
		240 - 247
3	Red	000 - 255
		Red from 0 to 100%
4	Green	000 - 255
		Green from 0 to 100%
5	Blue	000 - 255
		Blue from 0 to 100%
6	White	000 - 255
		White from 0 to 100%
7	Beam effect	
		000 - 119
		120 - 239
		240 - 255
8	Beam effect rotation speed	
		000 - 007
		008 - 247
		248 - 255
9	Zoom	000 - 255
		Zoom from 6° to 80°
10	Special functions	
		000 - 079
		080 - 087
		088 - 090
		091 - 120
		121 - 150
		151 - 180
		181 - 210
		211 - 221
		222 - 232
		233 - 243
		244 - 255

5.3 - 12-channel mode

Channels	Values	Action
1	Dimmer 000 - 255	Increasing brightness from 0 to 100%
2	Shutter Similar to channel 2 in 10-channel mode	
3	Red 000 - 255	Red from 0 to 100%
4	Green 000 - 255	Green from 0 to 100%
5	Blue 000 - 255	Blue from 0 to 100%
6	White 000 - 255	White from 0 to 100%
7	Colour presets	
	000 - 007	No function
	008 - 017	Red
	018 - 027	Orange
	028 - 037	Yellow
	038 - 047	Green
	048 - 057	Cyan
	058 - 067	Blue
	068 - 077	Pink
	078 - 087	Magenta
	088 - 097	Cold white
	098 - 107	Warm white
	108 - 117	Full power
	118 - 127	Pastel pink
	128 - 137	Pastel apricot
	138 - 147	Pastel ochre
	148 - 157	Yellow/Pastel pink
	158 - 167	Pastel pearl green
	168 - 177	Pastel pearl gray
	178 - 187	Pastel blue
188 - 197	Pastel pearl blue	
198 - 207	Pastel veronese green	
208 - 217	Pastel lagoon blue	
218 - 227	Pastel sky blue	
228 - 237	Light blue	
238 - 255	Pastel blue	
8	Colour macros (crossfades)	
	000 - 007	No function
	008 - 038	Macro 1 : Crossfade including all colours at increasing speed
	039 - 069	Macro 2 : Red to Purple crossfade at increasing speed
	070 - 100	Macro 3 : Pink to Purple crossfade at increasing speed
	101 - 131	Macro 4 : Blue to Cyan crossfade at increasing speed
	132 - 162	Macro 5 : Cyan to Green crossfade at increasing speed
	163 - 193	Macro 6 : Green to Yellow crossfade at increasing speed
	194 - 224	Macro 7 : Yellow to Orange crossfade at increasing speed
	225 - 255	Macro 8 : Orange to Red crossfade at increasing speed
9	Beam effect Similar to channel 7 in 10-channel mode	
10	Beam effect rotation speed Similar to channel 8 in 10-channel mode	
11	Zoom 000 - 255	Zoom from 6° to 80°
12	Special functions Similar to channel 10 in 10-channel mode	

Because CONTEST® takes the utmost care in its products to make sure you only get the best possible quality, our products are subjects to modifications without prior notice. That is why technical specifications and the products physical configuration might differ from the illustrations.

Make sure you get the latest news and updates about the CONTEST® products on www.contest-lighting.com
CONTEST® is a trademark of HITMUSIC S.A. - Zone Cahors sud - 46230 FONTANES - FRANCE