

FLASHBEAM

1 - Safety information

Important safety information



This unit is intended for indoor use only. Do not use it in a wet, or extremely cold/hot locations. Failure to follow these safety instructions could result in fire, electric shock, injury, or damage to this product or other property.



Any maintenance procedure must be performed by a CONTEST authorised technical service. Basic cleaning operations must thoroughly follow our safety instructions.



This product contains non-isolated electrical components. Do not undertake any maintenance operation when it is switched on as it may result in electric shock.

Symbols used



This symbol signals an important safety precaution.



The WARNING symbol signals a risk to the user's physical integrity. The product may also be damaged.



The CAUTION symbol signals a risk of product deterioration.

Instructions and recommendations

1 - Please read carefully :

We strongly recommend to read carefully and understand the safety instructions before attempting to operate this unit.

2 - Please keep this manual :

We strongly recommend to keep this manual with the unit for future reference.

3 - Operate carefully this product :

We strongly recommend to take into consideration every safety instruction.

4 - Follow the instructions:

Please carefully follow each safety instruction to avoid any physical harm or property damage.

5 - Avoid water and wet locations :

Do not use this product in rain, or near washbasins or other wet locations.

6 - Installation :

We strongly encourage you to only use a fixation system or support recommended by the manufacturer or supplied with this product. Carefully follow the installation instructions and use the adequate tools.

Always ensure this unit is firmly fixed to avoid vibration and slipping while operating as it may result in physical injury.

7 - Ceiling or wall installation :

Please contact your local dealer before attempting any ceiling or wall installation.

8 - Ventilation :

The cooling vents ensure a safe use of this product, and avoid any overheating risk. Do not obstruct or cover these vents as it may result in overheating and potential physical injury or product damage. This product should never be operated in a closed non-ventilated area such as a flight case or a rack, unless cooling vents are provided for the purpose .



CAUTION
RISK OF ELECTRIC SHOCK
DO NOT OPEN



WARNING : This unit contains no user-serviceable parts. Do not open the housing or attempt any maintenance by yourself. In the unlikely even your unit may require service, please contact your nearest dealer.

In order to avoid any electrical malfunction, please do not use any multi-socket, power cord extension or connecting system without making sure they are perfectly isolated and present no defect.



Warning

This product is equipped with Class 2 LEDs.

Please avoid looking directly at the beam as it may cause severe eye injuries.

Recycling your device



- As HITMUSIC is really involved in the environmental cause, we only commercialise clean, ROHS compliant products.
- When this product reaches its end of life, take it to a collection point designated by local authorities. The separate collection and recycling of your product at the time of disposal will help conserve natural resources and ensure that it is recycled in a manner that protects human health and the environment.

9 - Heat exposure :

Sustained contact or proximity with warm surfaces may cause overheating and product damages. Please keep this product away from any heat source such as a heaters, amplifiers, hot plates, etc...

10 - Electric power supply :

This product can only be operated according to a very specific voltage. These information are specified on the label located at the rear of the product.

11 - Power cords protection:

Power-supply cords should be routed so that they are not likely to be walked on or pinched by items placed upon or against them, paying particular attention to cords at lugs, convenience receptacles and the point where they exit from the fixture.

12 - Cleaning precautions :

Unplug the product before attempting any cleaning operation. This product should be cleaned only with accessories recommended by the manufacturer. Use a damp cloth to clean the surface. Do not wash this product.

13 - Long periods of non use :

Disconnect the unit's main power during long periods of non use.

14 - Liquids or objects penetration :

Do not let any object penetrate this product as it may result in electric shock or fire. Never spill any liquid on this product as it may infiltrate the electronic components and result in electric shock or fire.

15 - This product should be serviced when :

- Please contact the qualified service personnel if :
- The power cord or the plug has been damaged.
 - Objects have fallen or liquid has been spilled into the appliance.
 - The appliance has been exposed to rain or water.
 - The product does not appear to operate normally.
 - The product has been damaged.

16 - Inspection/maintenance :

Please do not attempt any inspection or maintenance by yourself. Refer all servicing to qualified personnel.

17 - Operating environment :

Ambient temperature and humidity: +5 - +35°C, relative humidity must be less than 85% (when cooling vents are not obstructed).

Do not operate this product in a non-ventilated, very humid or warm place.

2 - Introduction

Thank you for purchasing the FLASHBEAM.

You now have in your possession a high-quality, powerful and intelligent device, which will satisfy your needs.

Your FLASHBEAM combines 8 RGB projectors with 4 white LEDs, mounted on a control and power supply bar.

This user guide will help you getting familiar with the many functions and possibilities offered by your FLASHBEAM.

Please keep it within reach during the first uses.

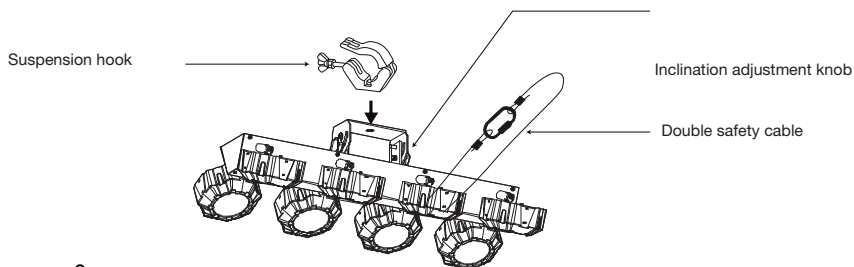
3 - Description and installation

3.1 - Description

Your FLASHBEAM is a comprehensive device allowing many possibilities:

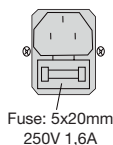
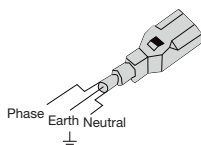
- It is either music-sensitive, automatic, or controlled via DMX
- It also features 3-colour LEDs to produce perfect colours while white LEDs create strobe effects.
- Light sources:
 - 8 x 9W RGB LEDs with red, green and blue beams
 - 4 x 1W White LEDs (strobe)
- Modes:
 - DMX
 - Independent
 - Music-sensitive
- Life expectancy of approximately 30.000 hours
- Low temperature, low power consumption, can be operated non-stop for many hours
- 1, 4, 14 or 15 DMX channels:
 - Preset shows
 - Built-in programs
 - Control each colour individually to graduate blue, green and red colours
 - Control each strobe LEDs
 - Dimmer
 - Music-sensitive
- Master / slave (Music-sensitive or automatic)
- Beamwidth: 3°
- Power supply: 100-240V 50/60Hz
- Power consumption: 76 Watts
- Fuse: F1,6A
- Dimensions: 605 x 184 x 268 mm
- Net weight: 3.2 kg

3.2 - Installation



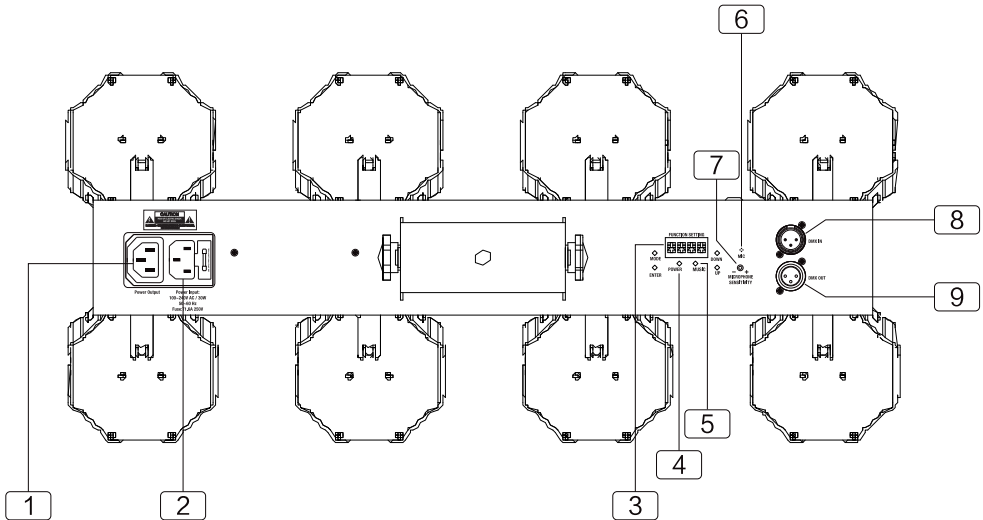
Note: The legislation requires that every device set up in a public space features a double fixation bracket. This security system must hold 10 times the weight of the device.

3.3 - Connection to the mains



Cable colours	Function
Brown	Phase
Blue	Neutral
Yellow / Green	Earth

3.3 - Overview

**1- Power output**

Allows you to daisy chain more projectors.
Please make sure to never exceed 340W via this output

2- Power input

Connects your projector to the mains by using the supplied IEC/2 poles+earth cable.
Please make sure the voltage of the electrical outlet will not damage your device.

3- Display

Indicates the current status of your device and allows to use the menu.

4- POWER LED

Lights up when your FLASHBEAM is activated.

5- MUSIC LED

Lights up when the music-sensitive mode is activated.

6- Microphone

Allows your FLASHBEAM to react to sound in music-sensitive mode.

7- MICROPHONE SENSITIVITY knob

Allows you to adjust the microphone sensitivity and the reactions of your FLASHBEAM to sound in music-sensitive mode.

8- DMX Input

3-pin female XLR plug wired as follows:
- Ground: 1
- Negative signal: 2
- Positive signal: 3

9- DMX Output

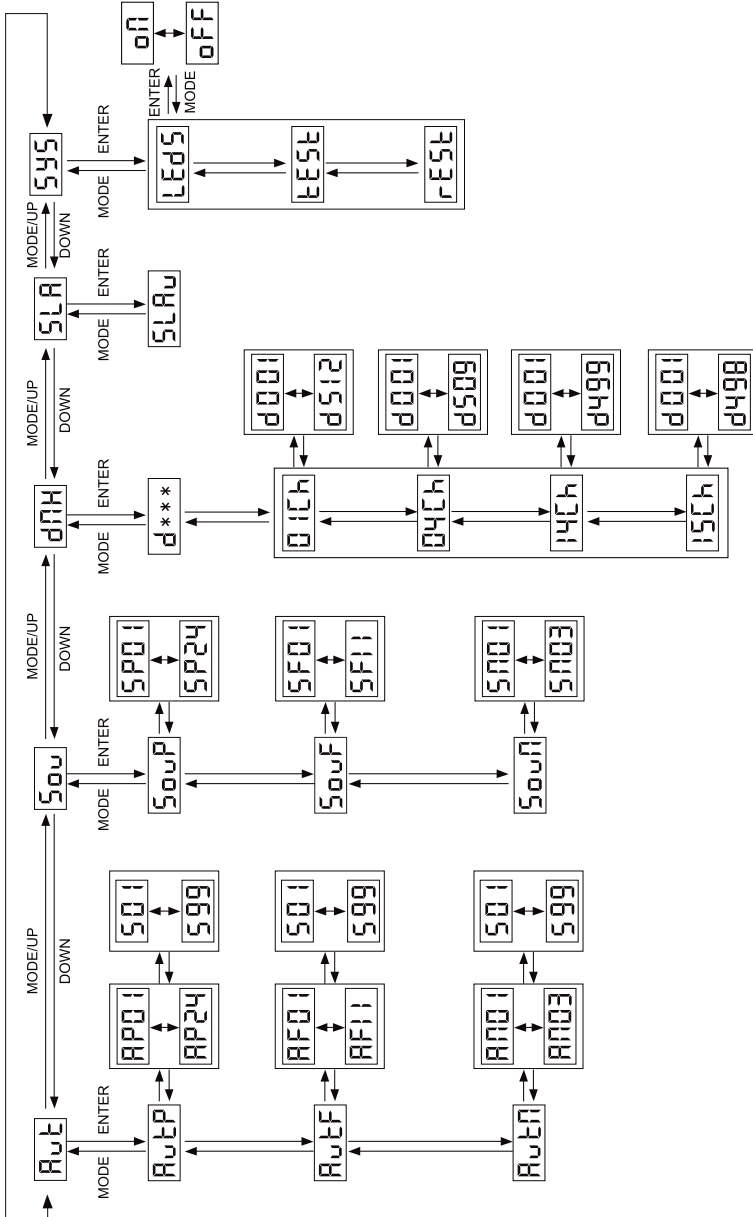
Allows you to daisy-chain more projectors.
Harwired as mentioned above.

4 - Menu overview

Use the MODE button to access the menu and its submenus. Please find below the function of each button:

- **MODE:** Allows you to access to the menu and navigate through submenus.
- **ENTER:** Allows you to confirm your choice and enter submenus.
- **UP and DOWN:** Allows you to modify values.

Please find below the entire menu tree:



MODE	ENTER	UP and DOWN	Action	ENTER
Aut	AutP	AP01 ↑ AP24	Automatic shows 1 to 24 from 8 RGB projectors	Saves changes
	AutF	AF01 ↑ AF11	Automatic shows 1 to 11 from 4 white flash LEDs	Saves changes
	AutA	AN01 ↑ AN03	Automatic shows 1 to 3 from 8 RGB projectors and 4 white flash LEDs	Saves changes
		SO1 ↑ S99	Show speed	Saves changes
Sou	SouP	SP01 ↑ SP23	Music-sensitive shows 1 to 24 from 8 RGB projectors	Saves changes
	SouF	SF01 ↑ SF10	Music-sensitive shows 1 to 11 from 4 white flash LEDs	Saves changes
	SouA	SN01 ↑ SN03	Music-sensitive shows 1 to 3 from 8 RGB projectors and 4 white flash LEDs	Saves changes
dNH	d*** Choix de l'adresse DMX	01Ch	1 channel: RGB projectors and white flash LEDs show sequences selection	Saves changes
		04Ch	4 channels: Projectors shows; Projector shows behaviours; White flash LEDs shows; White flash LED shows behaviours	
		14Ch	14 channels: Dimmers of each LED of each projector; Main dimmer; Cross fading and strobe speed; Strobe speed for each white LED	
		15Ch	15 channels: Dimmers of each LED of each projector; Main dimmer; Cross fading and strobe speed, Strobe speed for each white LED; Projector shows; Projector shows speed; White flash LEDs show; White flash LEDs shows speed	
SLA	SLAu	Slave mode: your device will replicate the master unit behaviours.	Saves changes	
SYS	LEdS	on ↑ off	Activates the automatic display shutdown after a short period of inactivity. When Off the display will remain lit; when On, the display will shutdown after 15 seconds.	Saves changes
	tEST		Launches a test program to check all the components of your device.	Saves changes
	rEST		Resets to factory settings.	Saves changes

7 - DMX modes

7.1 - 1-channel mode

Channel	Values	Action
1	000 - 009	Black-out
	010 - 072	Sequence including shows 1 to 23 from RGB projectors in automatic mode, from slow to fast
	073 - 132	Sequence including shows 1 to 10 from white flash LEDs in automatic mode, from slow to fast
	133 - 195	Sequence including shows 1 to 3 from all RGB projectors and LEDs, from slow to fast
	196 - 215	Sequence including shows 1 to 23 from RGB projectors in music-sensitive mode
	216 - 235	Sequence including shows 1 to 10 from white flash LEDs in music-sensitive mode
	236 - 255	Sequence including shows 1 to 3 from all RGB projectors and LEDs in music-sensitive mode

7.2 - 4-channel mode

Channel	Values	Action
1	RGB projectors shows	
	000 - 009	Blackout
	010 - 019	RGB Projectors show 1
	020 - 029	RGB Projectors show 2
	030 - 039	RGB Projectors show 3
	040 - 049	RGB Projectors show 4
	050 - 059	RGB Projectors show 5
	060 - 069	RGB Projectors show 6
	070 - 079	RGB Projectors show 7
	080 - 089	RGB Projectors show 8
	090 - 099	RGB Projectors show 9
	100 - 109	RGB Projectors show 10
	110 - 119	RGB Projectors show 11
	120 - 129	RGB Projectors show 12
	130 - 139	RGB Projectors show 13
	140 - 149	RGB Projectors show 14
	150 - 159	RGB Projectors show 15
	160 - 169	RGB Projectors show 16
	170 - 179	RGB Projectors show 17
	180 - 189	RGB Projectors show 18
	190 - 199	RGB Projectors show 19
	200 - 209	RGB Projectors show 20
	210 - 219	RGB Projectors show 21
	220 - 229	RGB Projectors show 22
230 - 239	RGB Projectors show 23	
240 - 255	RGB Projectors show 24 (sequence including shows 1 to 23)	
2	RGB Projector shows behaviour	
	000 - 243	Increasing speed
	244 - 255	Music-sensitive mode

7.2 - 4-channel mode (continuation and end)

Channel	Values	Action
3	White flash LEDs shows	
	000 - 009	Black-out
	010 - 031	Show 1
	032 - 053	Show 2
	054 - 075	Show 3
	076 - 097	Show 4
	098 - 119	Show 5
	120 - 141	Show 6
	142 - 163	Show 7
	164 - 185	Show 8
	186 - 207	Show 9
208 - 229	Show 10	
	230 - 255	Show 11 (sequence including shows 1 to 10)
4	White flash LEDs shows behaviour	
	000 - 243	Increasing speed
	244 - 255	Music-sensitive mode

7.3 - 14-channel mode

Channel	Values	Action
1	Projector 1 RGB dimmer	
	000 - 085	Red dimmer from 0 to 100%
	086 - 170	Green dimmer from 0 to 100%
	171 - 255	Blue dimmer from 0 to 100%
2	Projector 2 RGB dimmer	
	000 - 085	Red dimmer from 0 to 100%
	086 - 170	Green dimmer from 0 to 100%
	171 - 255	Blue dimmer from 0 to 100%
3	Projector 3 RGB dimmer	
	000 - 085	Red dimmer from 0 to 100%
	086 - 170	Green dimmer from 0 to 100%
	171 - 255	Blue dimmer from 0 to 100%
4	Projector 4 RGB dimmer	
	000 - 085	Red dimmer from 0 to 100%
	086 - 170	Green dimmer from 0 to 100%
	171 - 255	Blue dimmer from 0 to 100%
5	Projector 5 RGB dimmer	
	000 - 085	Red dimmer from 0 to 100%
	086 - 170	Green dimmer from 0 to 100%
	171 - 255	Blue dimmer from 0 to 100%
6	Projector 6 RGB dimmer	
	000 - 085	Red dimmer from 0 to 100%
	086 - 170	Green dimmer from 0 to 100%
	171 - 255	Blue dimmer from 0 to 100%
7	Projector 7 RGB dimmer	
	000 - 085	Red dimmer from 0 to 100%
	086 - 170	Green dimmer from 0 to 100%
	171 - 255	Blue dimmer from 0 to 100%

7.3 - 14-channel mode (continuation and end)

Channel	Values	Action
8	Projector 8 RGB dimmer	
	000 - 085	Red dimmer from 0 to 100%
	086 - 170	Green dimmer from 0 to 100%
	171 - 255	Blue dimmer from 0 to 100%
9	Main dimmer	
	000 - 255	Intensity from 0 to 100%
10	Pulse effect and strobe from RGB projectors	
	000 - 009	No function
	010 - 083	Slow to fast pulse effect
	084 - 163	Fast to slow pulse effect
	164 - 243	Slow to fast strobe effect
	244 - 255	Music-sensitive strobe effect
11	White flash LED 1 strobe effect	
	000 - 009	Black-out
	010 - 255	Slow-to fast strobe effect
12	White flash LED 2 strobe effect	
	000 - 009	Black-out
	010 - 255	Slow-to fast strobe effect
13	White flash LED 3 strobe effect	
	000 - 009	Black-out
	010 - 255	Slow-to fast strobe effect
14	White flash LED 4 strobe effect	
	000 - 009	Black-out
	010 - 255	Slow-to fast strobe effect

7.4 - 15-channel mode

Channel	Values	Action
1	Projector 1 RGB dimmer	
	000 - 085	Red dimmer from 0 to 100%
	086 - 170	Green dimmer from 0 to 100%
	171 - 255	Blue dimmer from 0 to 100%
2	Projector 2 RGB dimmer	
	000 - 085	Red dimmer from 0 to 100%
	086 - 170	Green dimmer from 0 to 100%
	171 - 255	Blue dimmer from 0 to 100%
3	Projector 3 RGB dimmer	
	000 - 085	Red dimmer from 0 to 100%
	086 - 170	Green dimmer from 0 to 100%
	171 - 255	Blue dimmer from 0 to 100%
4	Projector 4 RGB dimmer	
	000 - 085	Red dimmer from 0 to 100%
	086 - 170	Green dimmer from 0 to 100%
	171 - 255	Blue dimmer from 0 to 100%
5	Projector 5 RGB dimmer	
	000 - 085	Red dimmer from 0 to 100%
	086 - 170	Green dimmer from 0 to 100%
	171 - 255	Blue dimmer from 0 to 100%
6	Projector 6 RGB dimmer	
	000 - 085	Red dimmer from 0 to 100%
	086 - 170	Green dimmer from 0 to 100%
	171 - 255	Blue dimmer from 0 to 100%

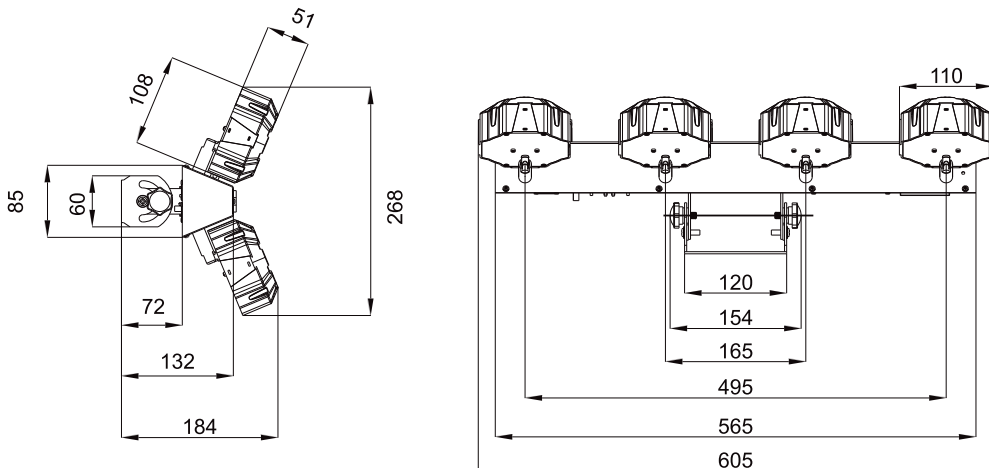
7.4 - 15-channel mode (continuation)

Channel	Values	Action
7	Projector 7 RGB dimmer	
	000 - 085	Red dimmer from 0 to 100%
	086 - 170	Green dimmer from 0 to 100%
	171 - 255	Blue dimmer from 0 to 100%
8	Projector 8 RGB dimmer	
	000 - 085	Red dimmer from 0 to 100%
	086 - 170	Green dimmer from 0 to 100%
	171 - 255	Blue dimmer from 0 to 100%
9	Main dimmer	
	000 - 255	Intensity from 0 to 100%
10	Pulse effect and strobe from RGB projectors	
	000 - 009	No function
	010 - 083	Slow to fast pulse effect
	084 - 163	Fast to slow pulse effect
	164 - 243	Slow to fast strobe effect
	244 - 255	Music-sensitive strobe effect
11	Strobe effect from all 4 white flash LEDs	
	000 - 255	Slow to fast strobe effect
12	RGB Projectors shows	
	000 - 009	Blackout
	010 - 019	RGB Projectors show 1
	020 - 029	RGB Projectors show 2
	030 - 039	RGB Projectors show 3
	040 - 049	RGB Projectors show 4
	050 - 059	RGB Projectors show 5
	060 - 069	RGB Projectors show 6
	070 - 079	RGB Projectors show 7
	080 - 089	RGB Projectors show 8
	090 - 099	RGB Projectors show 9
	100 - 109	RGB Projectors show 10
	110 - 119	RGB Projectors show 11
	120 - 129	RGB Projectors show 12
	130 - 139	RGB Projectors show 13
	140 - 149	RGB Projectors show 14
	150 - 159	RGB Projectors show 15
	160 - 169	RGB Projectors show 16
	170 - 179	RGB Projectors show 17
	180 - 189	RGB Projectors show 18
	190 - 199	RGB Projectors show 19
	200 - 209	RGB Projectors show 20
	210 - 219	RGB Projectors show 21
	220 - 229	RGB Projectors show 22
230 - 239	RGB Projectors show 23	
240 - 255	RGB Projectors show 24 (sequence including shows 1 to 23)	
13	RGB Projector shows behaviour	
	000 - 243	Increasing speed
	244 - 255	Music-sensitive mode

7.4 - 15-channel mode (continuation and end)

Channel	Values	Action
14	White flash LEDs shows	
	000 - 009	Black-out
	010 - 031	Show 1
	032 - 053	Show 2
	054 - 075	Show 3
	076 - 097	Show 4
	098 - 119	Show 5
	120 - 141	Show 6
	142 - 163	Show 7
	164 - 185	Show 8
	186 - 207	Show 9
208 - 229	Show 10	
	230 - 255	Show 11 (sequence including shows 1 to 10)
15	White flash LEDs shows behaviour	
	000 - 243	Increasing speed
	244 - 255	Music-sensitive mode

8 - Dimensions



Because CONTEST® takes the utmost care in its products to make sure you only get the best possible quality, our products are subjects to modifications without prior notice. That is why technical specifications and the products physical configuration might differ from the illustrations.

Make sure you get the latest news and updates about the CONTEST® products on www.contest-lighting.com
CONTEST® is a trademark of HITMUSIC S.A. - Zone Cahors sud - 46230 FONTANES - FRANCE